

HYFC08-20F (Flow Control Valve With Reverse Flow Check)

Description

A cartridge-style non-adjustable flow control orifice check valve.

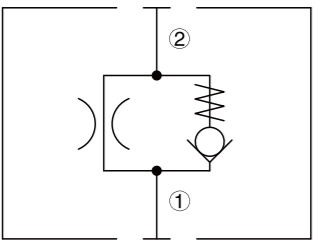
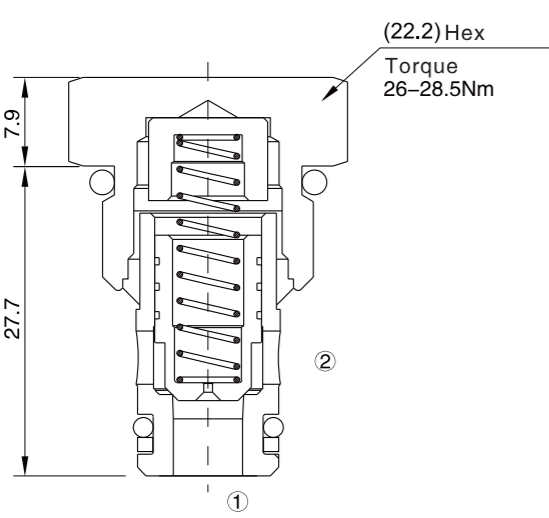
Operation

Flow is metered from ② to ①. Free reverse flow is from ① to ②.

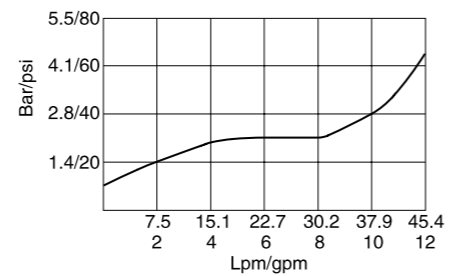
Specifications

Operating pressure:	240 Bar
Flow:	See pressure drop vs. flow graph
Temperature:	(-40°C To +120°C) with NBR material seals
Fluids:	Mineral-based fluids with viscosities of 7.4 to 420 cSt.
Cavity:	HY08-2, see page H.1.2
Body material:	6061-T6 Aluminum alloy rated to 207 bar, steel & ductile iron rated to 350 bar

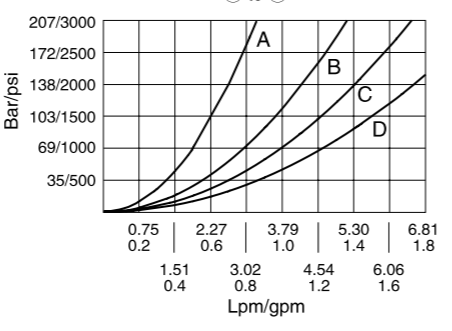
Code symbol , profile and pressure drop vs. flow

① to ②
(0.7 bar/10 psi spring)
32 cSt/150ssu oil at 40° C

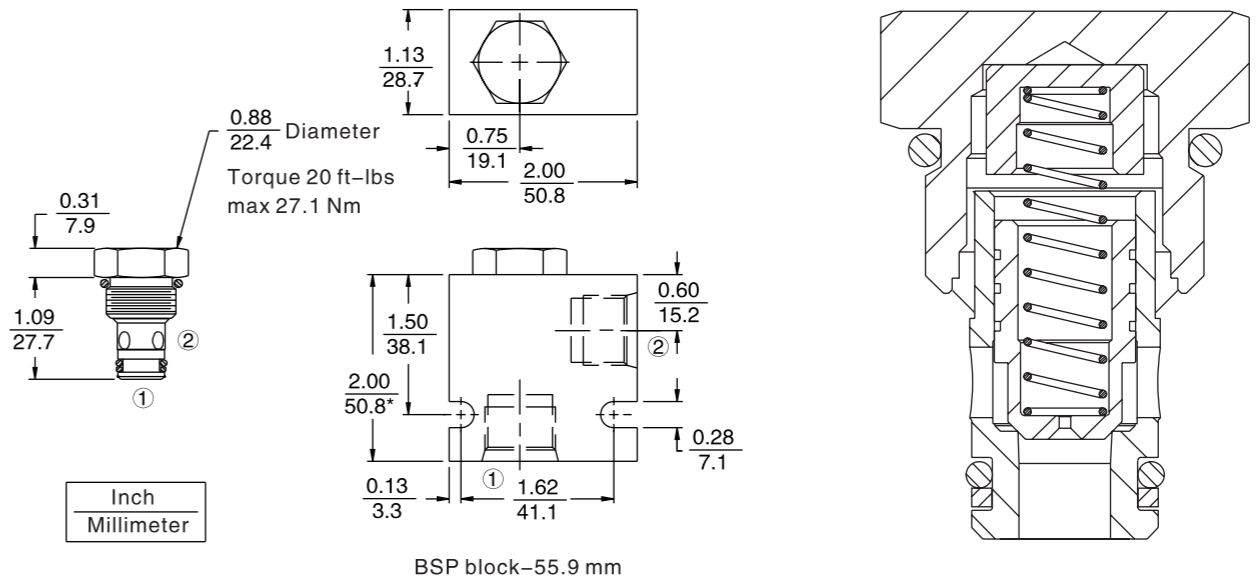


② to ①



HYFC08-20F (Flow Control Valve With Reverse Flow Check)

External dimensions



Inch
Millimeter

BSP block-55.9 mm

Material science and order model

Cartridge: weight: 0.10 kg (0.23 lb); Steel, the working face is duratected Surcace zine-plated; NBR material sealing and check ring (standard);

Block: weight :0.16 kg (0.35 lb); High-strength performance aluminum alloy with anodic oxidation; #6061 T6; Rated pressure up to 240 bar (3500 psi); See 8.008.1. Also available with ductile cast iron and steel material; Size might be different, please consult factory.

BSP body: U.K. Mfr. only

<p>HYFC08-20F</p> <p>Porting</p> <p>Cartridge only</p> <p>SAE 4</p> <p>SAE 6</p> <p>SAE 8</p> <p>1/4 Inch BSP*</p> <p>3/8 Inch BSP*</p> <p>1/2 Inch BSP*</p>	<p>0</p> <p>4T</p> <p>6T</p> <p>8T</p> <p>2B</p> <p>3B</p> <p>4B</p>	<p>Return spring force</p> <p>10 0.7 Bar(10 psi)</p> <p>Standard optional reset spring force provides OEM service</p> <p>Equivalent orifice size</p> <p>A .025 Inch</p> <p>B .033 Inch</p> <p>C .036 Inch</p> <p>D .040 Inch</p> <p>E .053 Inch</p> <p>F .056 Inch</p> <p>G .047 Inch</p> <p>Seals</p> <p>N Buna N (std.)</p> <p>V Fluorocarbon</p>
--	--	---