

HYSV10-44 (4/2 Solenoid Valve, Spool Type)

Description

A solenoid operated, 4-way, 2-position, spool-type cartridge valve.

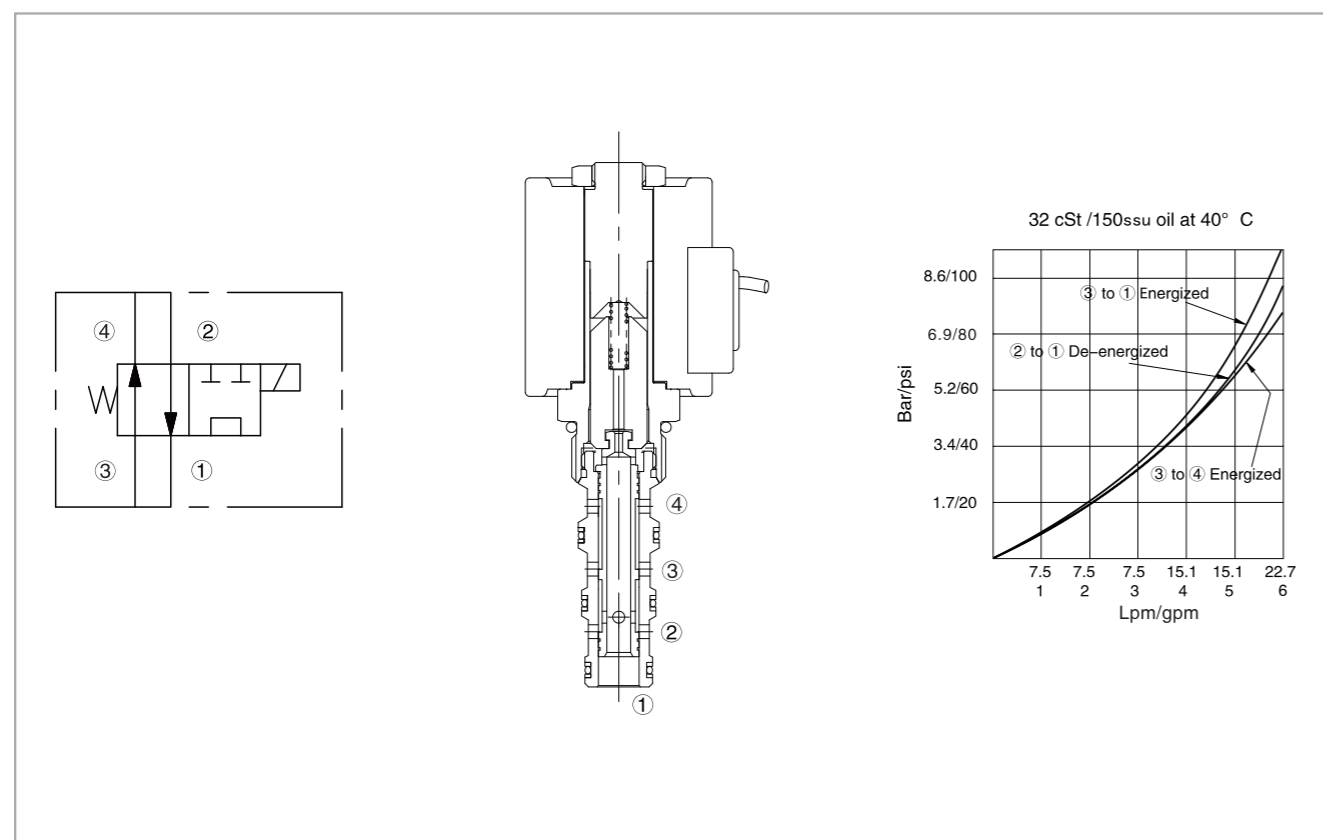
Operation

When de-energized, the valve allows flow from ③ to ④, as well as from ② to ①. When energized, the cartridge's spool shifts to open ③ to ① while blocking ④ and ②.

Specifications

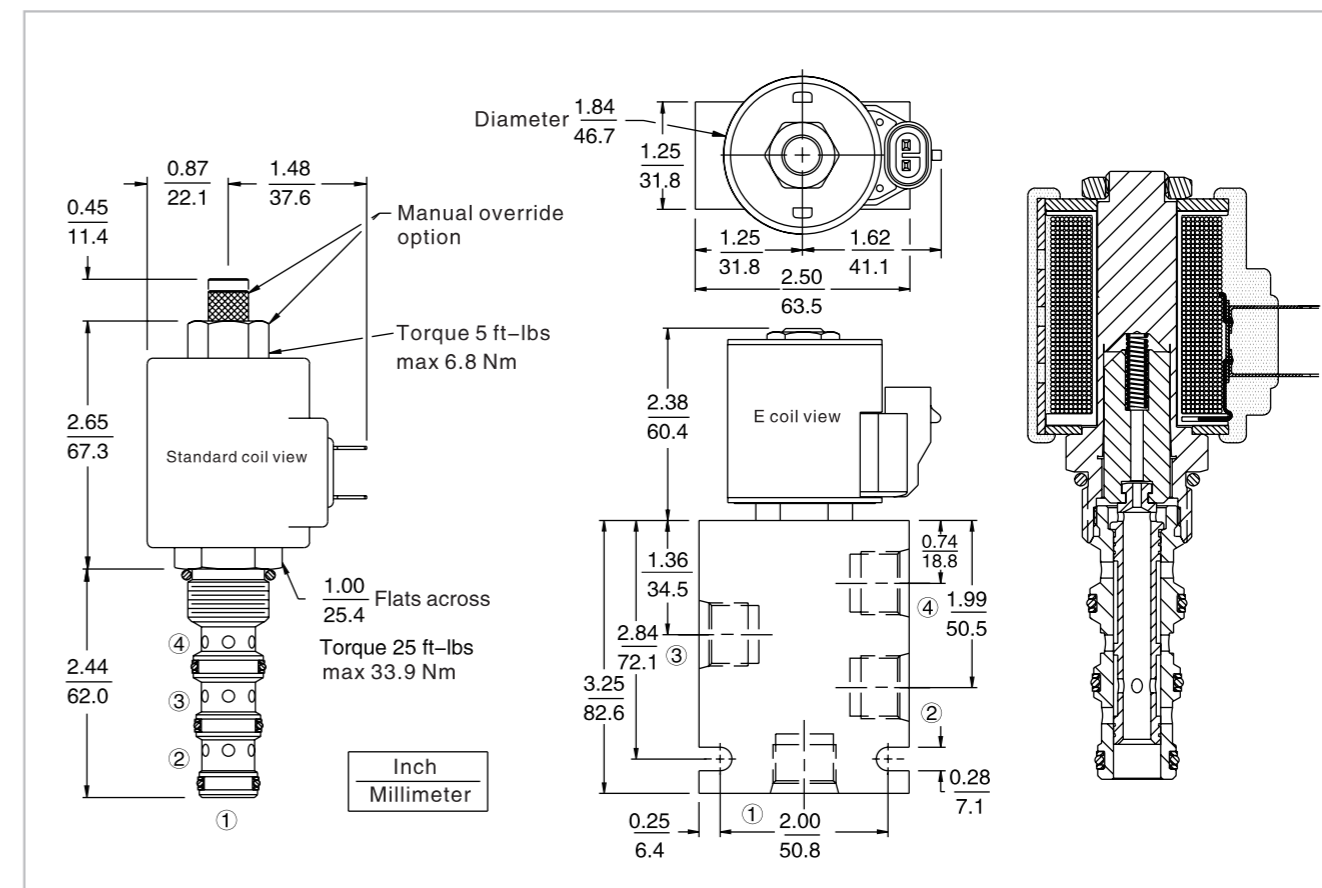
Max. operating pressure:	207 Bar
Flow:	See pressure drop vs. flow graph
Internal leakage:	82 cc/min. max. at 207 bar
Temperature:	(-40°C To +120°C) with NBR material seals
Coil duty rating:	Continuous from 85% to 115% of nominal voltage
Fluids:	Mineral-based fluids with viscosities of 7.4 to 420 cSt.
Cavity:	HY10-4, see page H.1.4
Body material:	6061-T6 Aluminum alloy rated to 207 bar, steel & ductile iron rated to 350 bar

Code symbol, profile and pressure drop vs. flow



HYSV10-44 (4/2 Solenoid Valve, Spool Type)

External dimensions



Material science and order model

Cartridge: weight: 0.13 kg (0.28 lb); Steel, the working face is duratected Surcace zine-plated; NBR material sealing and check ring (standard).

Block: weight :0.36 kg (0.80 lb); High-strength performance aluminum alloy with anodic oxidation; #6061 T6; Rated pressure up to 240 bar (3500 psi); Also available with ductile cast iron and steel material; Size might be different, please consult factory.

Standard coil: weight: 0.27 kg (0.60 lb); Heat-wrappinf pack, Class H heat-resistant enamelled wire;

E type coil: weight :0.41 kg (0.90 lb); Soid metallic shell encapsulated; IP 69K rated, integrated connector.

Option		Voltage std.coil		Termination std.coil (VDC)	
None (Blank)	0	0	Less coil**	DS	Dual spades
Manual override M	10	10	10 VDC †	DG	DIN 43650
Manual override Y	12	12	12 VDC	DL	Leadwire (2)
Manual override J	24	24	24 VDC	DL/W	Leadwire, lead w/weatherpak® connectors
	36	36	36 VDC	DR	Deutsch DT04-2P
	48	48	48 VDC		Termination std.coil (VAC)
	24	24	24 VAC	AG	DIN 43650
	115	115	115 VAC	AP	1/2 inch conduit
	230	230	230 VAC		E type coil termination (VDC)
				ER	Deutsch DT04-2P (IP69K rated)
				EY	Metri-Pack® 150 (IP69K rated)
					Coils with internal diode are available, please consult factory.

Porting		Seals	
Cartridge only	0	Buna (Std.)	N
SAE 6	6T	Fluorocarbon	V
SAE 8	8T		
1/4 Inch BSP*	2B		
3/8 Inch BSP*	3B		

** Includes std. coil nut
 † DS, DW or DL terminations only