

# HYSV08-47B (4/3 Solenoid Valve, Spool Tyle)

## Description

A solenoid operated, 4-way, 3-position, open center spool-type cartridge valve.

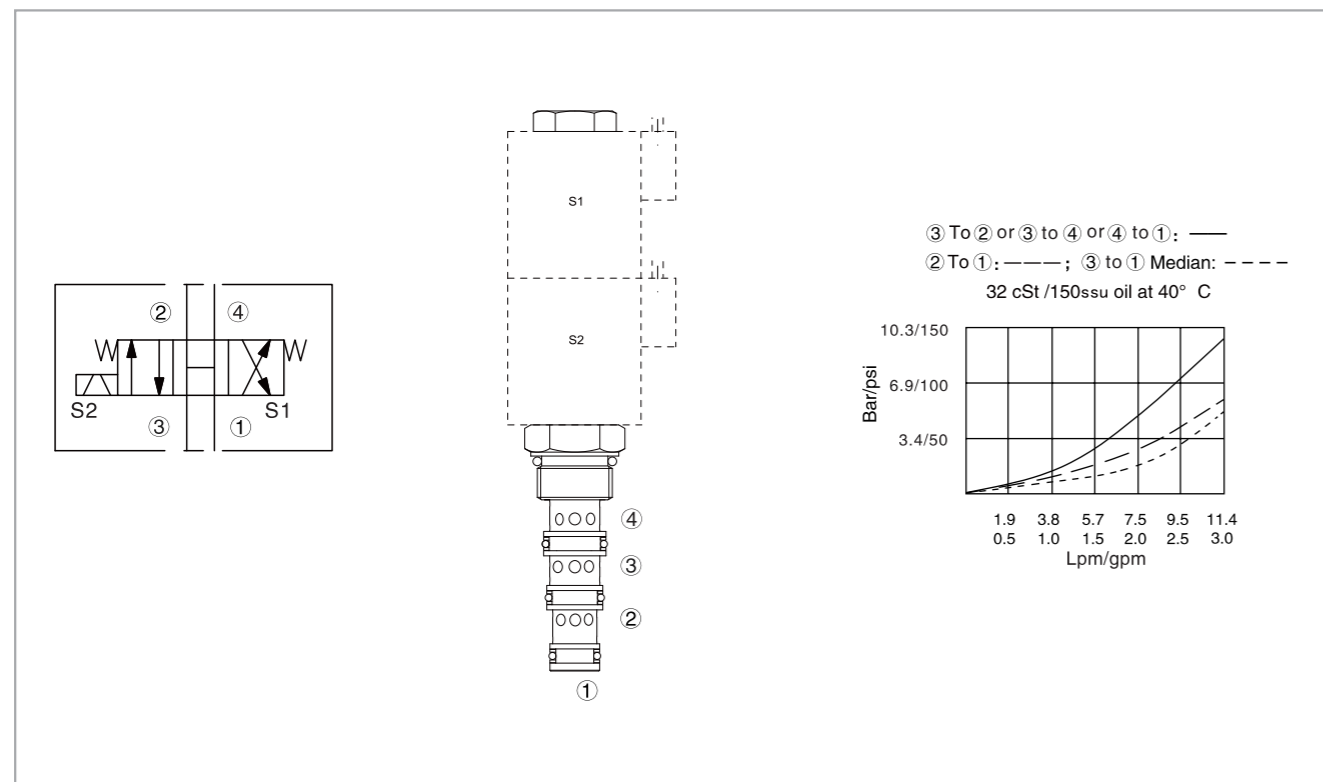
## Operation

When de-energized, the valve allows flow at all ports. When the coil S1 is energized, the valve allows flow from ③ to ④ and from ② to ①; When the coil S2 is energized, the valve allows flow from ③ to ② and from ④ to ①.

## Specifications

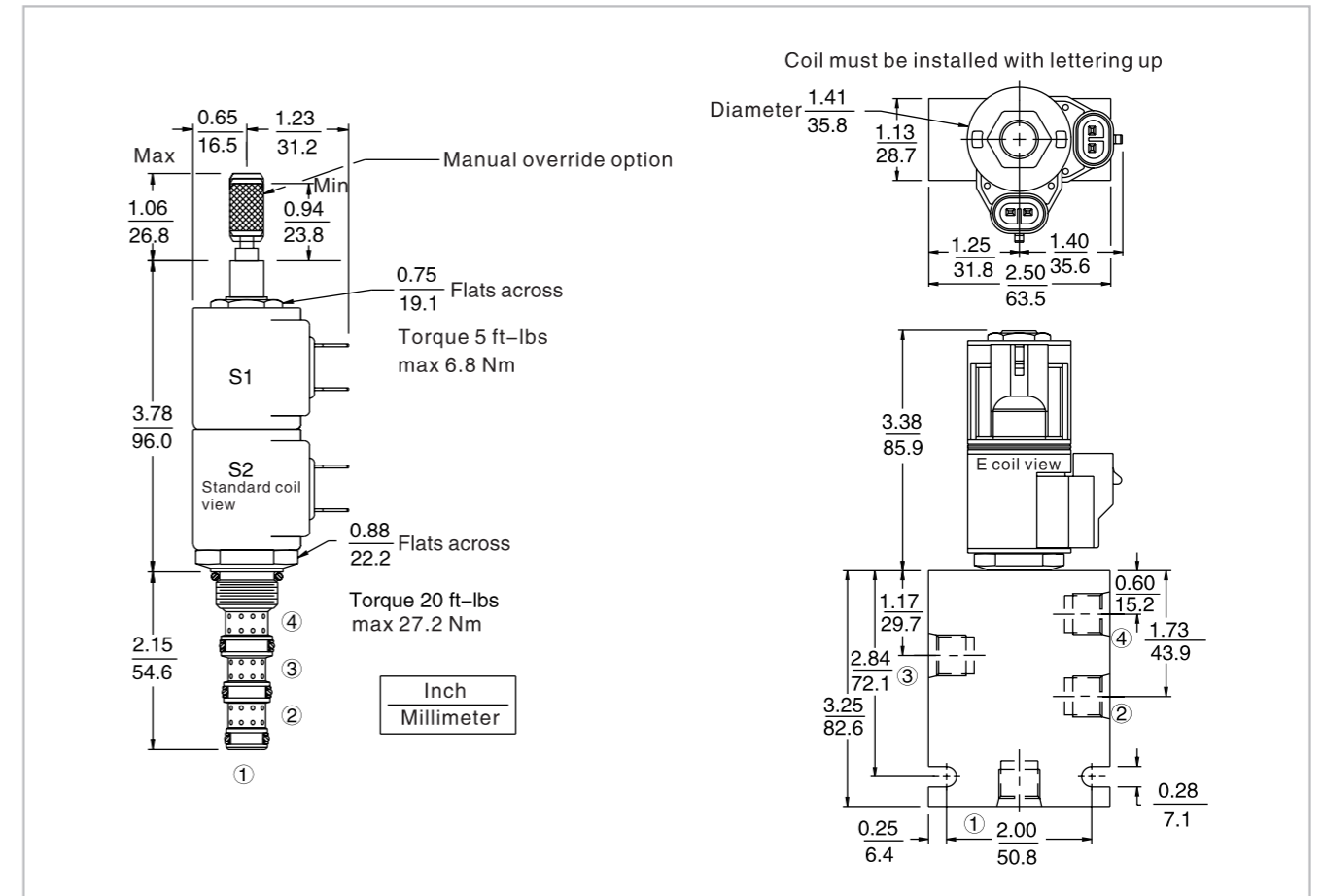
|                          |  |
|--------------------------|--|
| Max. operating pressure: | 207 Bar  |
| Flow:                    | See pressure drop vs. flow graph   |
| Internal leakage:        | 328 cc/min. max. at 210 bar  |
| Temperature:             | (-40°C To +120°C) with NBR material seals                                      |
| Coil duty rating:        | Continuous from 85% to 115% of nominal voltage                                 |
| Fluids:                  | Mineral-based fluids with viscosities of 7.4 to 420 cSt.                       |
| Cavity:                  | HY08-4, see page H.1.3   |
| Body material:           | 6061-T6 Aluminum alloy rated to 207 bar, steel & ductile iron rated to 350 bar |

## Code symbol , profile and pressure drop vs. flow



# HYSV08-47B (4/3 Solenoid Valve, Spool Tyle)

## External dimensions



## Material science and order model

Cartridge: weight: 0.13 kg (0.28 lb); Steel, the working face is duratected Surface zinc-plated; NBR material sealing and check ring (standard).

Block: weight: 0.27 kg (0.60 lb); High-strength performance aluminum alloy with anodic oxidation; #6061 T6; Rated pressure up to 240 bar (3500 psi); Also available with ductile cast iron and steel material; Size might be different, please consult factory.

Standard coil: weight: 0.11 kg (0.25 lb); Heat-wrapping pack, Class H heat-resistant enamelled wire;

E type coil: weight: 0.14 kg (0.3 lb); Soid metallic shell encapsulated; IP 69K rated, integrated connector.

| Option            |  | Voltage std.coil |             | Termination std.coil (VDC) |  |
|-------------------|--|------------------|-------------|----------------------------|--|
| None (Blank)      |  | 0                | Less coil** | DS                         | Dual spades  |
| Manual override M |  | 10               | 10 VDC †    | DG                         | DIN 43650  |
|                   |  | 12               | 12 VDC      | DL                         | Leadwire (2)   |
|                   |  | 24               | 24 VDC      | DL/W                       | Leadwire, lead w/weatherpak® connectors                          |
|                   |  | 36               | 36 VDC      | DR                         | Deutsch DT04-2P  |
|                   |  | 48               | 48 VDC      |                            | Termination std.coil (VAC)                                       |
|                   |  | 24               | 24 VAC      |                            |  |
|                   |  | 115              | 115 VAC     | AG                         | DIN 43650  |
|                   |  | 230              | 230 VAC     | AP                         | 1/2 inch conduit   |
|                   |  |                  |             |                            | E type coil termination (VDC)                                    |
|                   |  |                  |             | ER                         | Deutsch DT04-2P (IP69K rated)                                    |
|                   |  |                  |             | EL                         | Leadwire (2)   |
|                   |  |                  |             | EY                         | Metri-Pack® 150 (IP69K rated)                                    |
|                   |  |                  |             |                            | Coils with internal diode are available, please consult factory. |

† DS, DW or DL terminations only