

# HYSV08-47C(4/3 Solenoid Valve, Spool Tyle)

## Description

A solenoid operated, 4-way, 3-position, closed center spool-type cartridge valve.

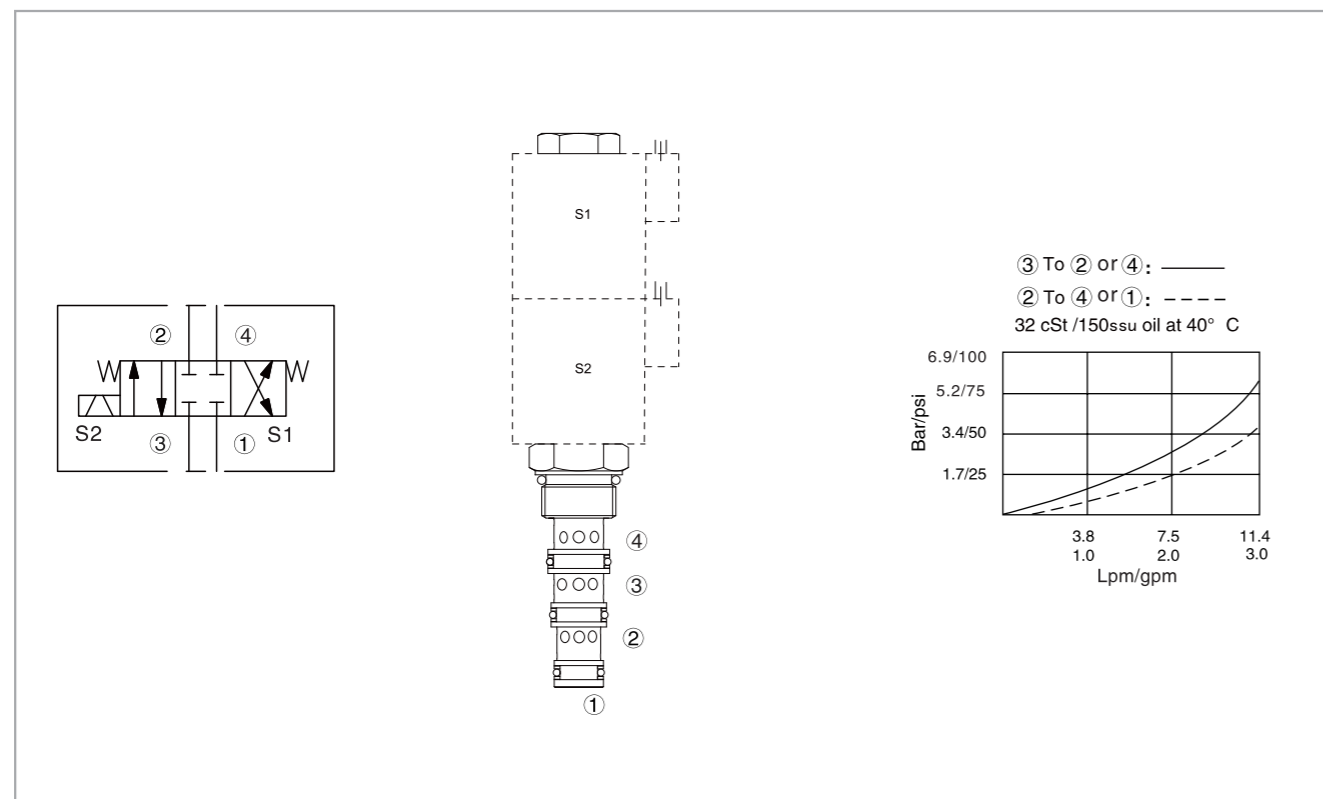
## Operation

When de-energized, the valve blocks flow at all ports. When the coil S1 is energized, the valve allows flow from ③ to ④ and from ② to ①; When the coil S2 is energized, the valve allows flow from ③ to ② and from ④ to ①.

## Specifications

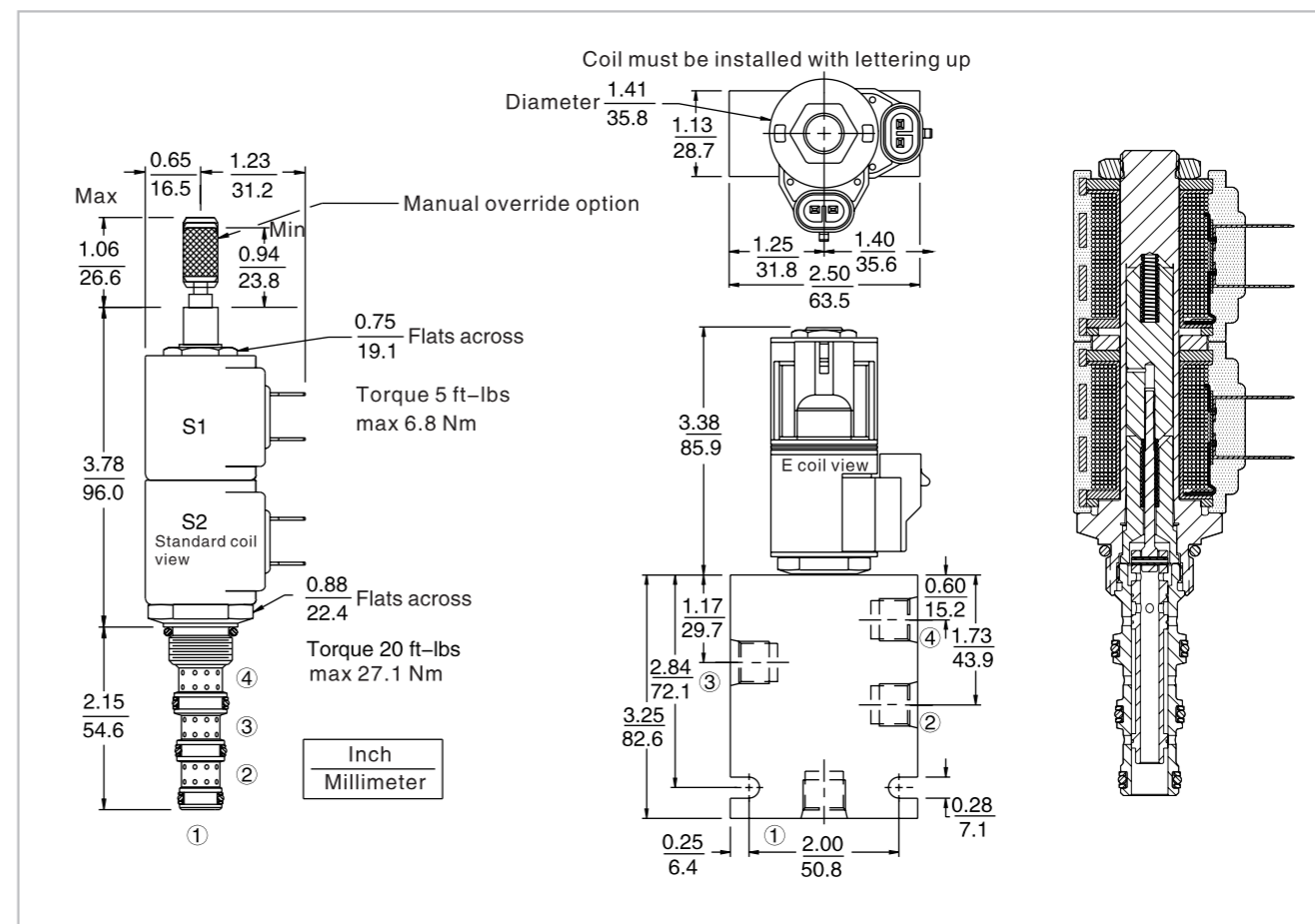
Max. operating pressure:	207 Bar
Flow:	See pressure drop vs. flow graph
Internal leakage:	164 cc/min.max.at 207 bar
Temperature:	(-40°C To +120°C) with NBR material seals
Coil duty rating:	Continuous from 85% to 115% of nominal voltage
Fluids:	Mineral-based fluids with viscosities of 7.4 to 420 cSt.
Cavity:	HY08-4, see page H.1.3
Body material:	6061-T6 Aluminum alloy rated to 207 bar, steel & ductile iron rated to 350 bar

## Code symbol , profile and pressure drop vs. flow



# HYSV08-47C (4/3 Solenoid Valve, Spool Tyle)

## External dimensions



## Material science and order model

Cartridge: weight: 0.13 kg (0.28 lb); Steel, the working face is duratected Surcace zine-plated; NBR material sealing and check ring (standard).  
 Block: weight :0.27 kg (0.60 lb); High-strength performance aluminum alloy with anodic oxidation; #6061 T6; Rated pressure up to 240 bar (3500 psi); Also available with ductile cast iron and steel material; Size might be different, please consult factory.  
 Standard coil: weight: 0.11 kg (0.25 lb); Heat-wrappinf pack, Class H heat-resistant enamelled wire;  
 E type coil: weight :0.14 kg (0.3 lb); Soid metallic shell encapsulated; IP 69K rated, integrated connector.

HYSV08-47C		Voltage std.coil		Termination std.coil (VDC)	
Option	None (Blank)	0	Less coil**	DS	Dual spades
Manual override	M	10	10 VDC †	DG	DIN 43650
Porting		12	12 VDC	DL	Leadwire (2)
Cartridge only	0	24	24 VDC	DL/W	Leadwire, lead w/weatherpak® connectors
SAE 6	6T	36	36 VDC	DR	Deutsch DT04-2P
1/4 Inch BSP*	2B	48	48 VDC	Termination std.coil (VAC)	
3/8 Inch BSP*	3B	24	24 VAC	AG	DIN 43650
		115	115 VAC	AP	1/2 inch conduit
		230	230 VAC	E type coil termination (VDC)	
		E type coil		ER	Deutsch DT04-2P ( IP69K rated )
		10	10 VDC	EL	Leadwire (2)
		12	12 VDC	EY	Metri-Pack® 150 ( IP69K rated )
		20	20 VDC	Coils with internal diode are available, please consult factory.	
		24	24 VDC		
Seals					
Buna (Std.)	N				
Fluorocarbon	V				