

HYCV04-20 (Check Valve,Ball Type)

Description

A cartridge-style, ball-type check valve.

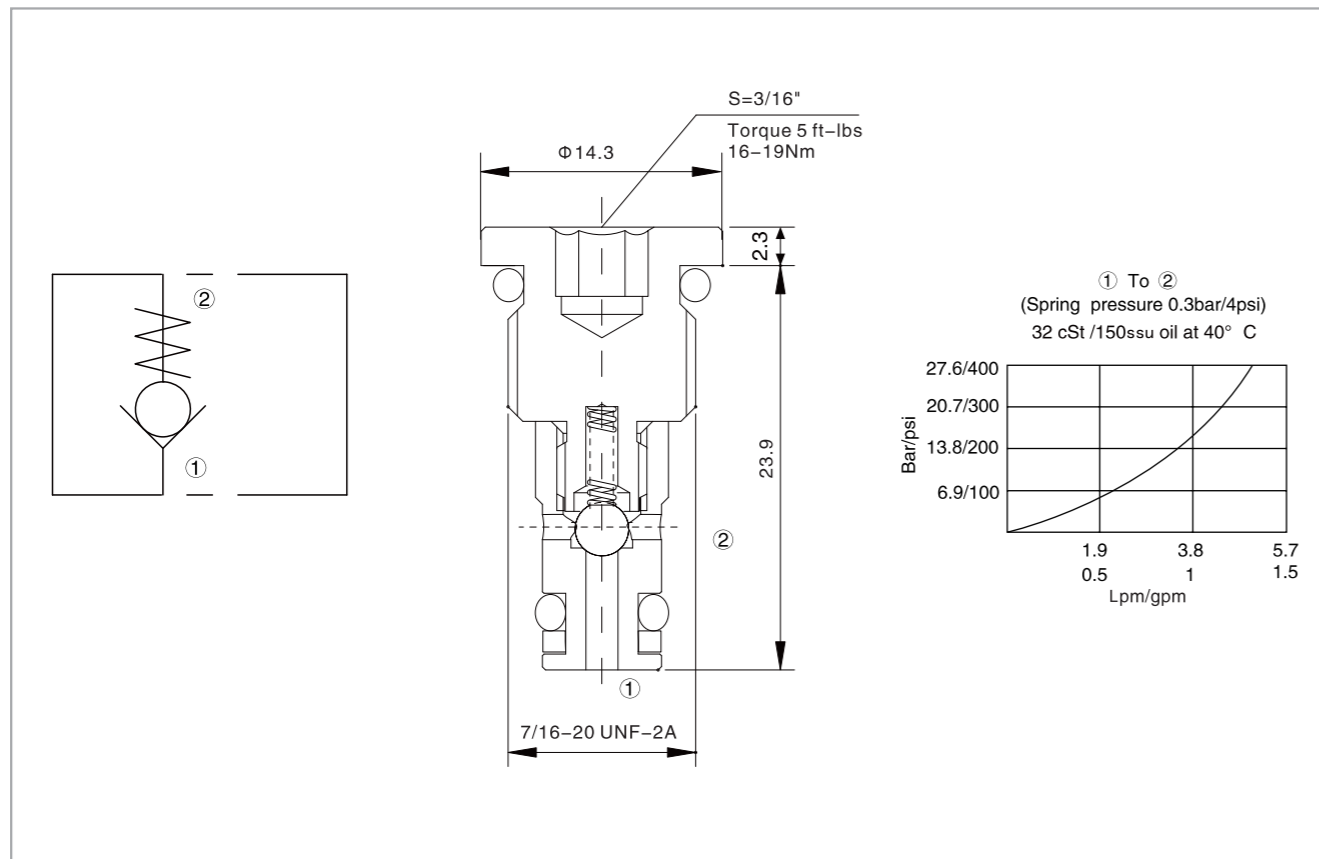
Operation

Pressure at ① overcomes the spring-bias ball and allows free flow from ① to ②.
Flow in the opposite direction, from ② to ①, is blocked by the ball.

Specifications

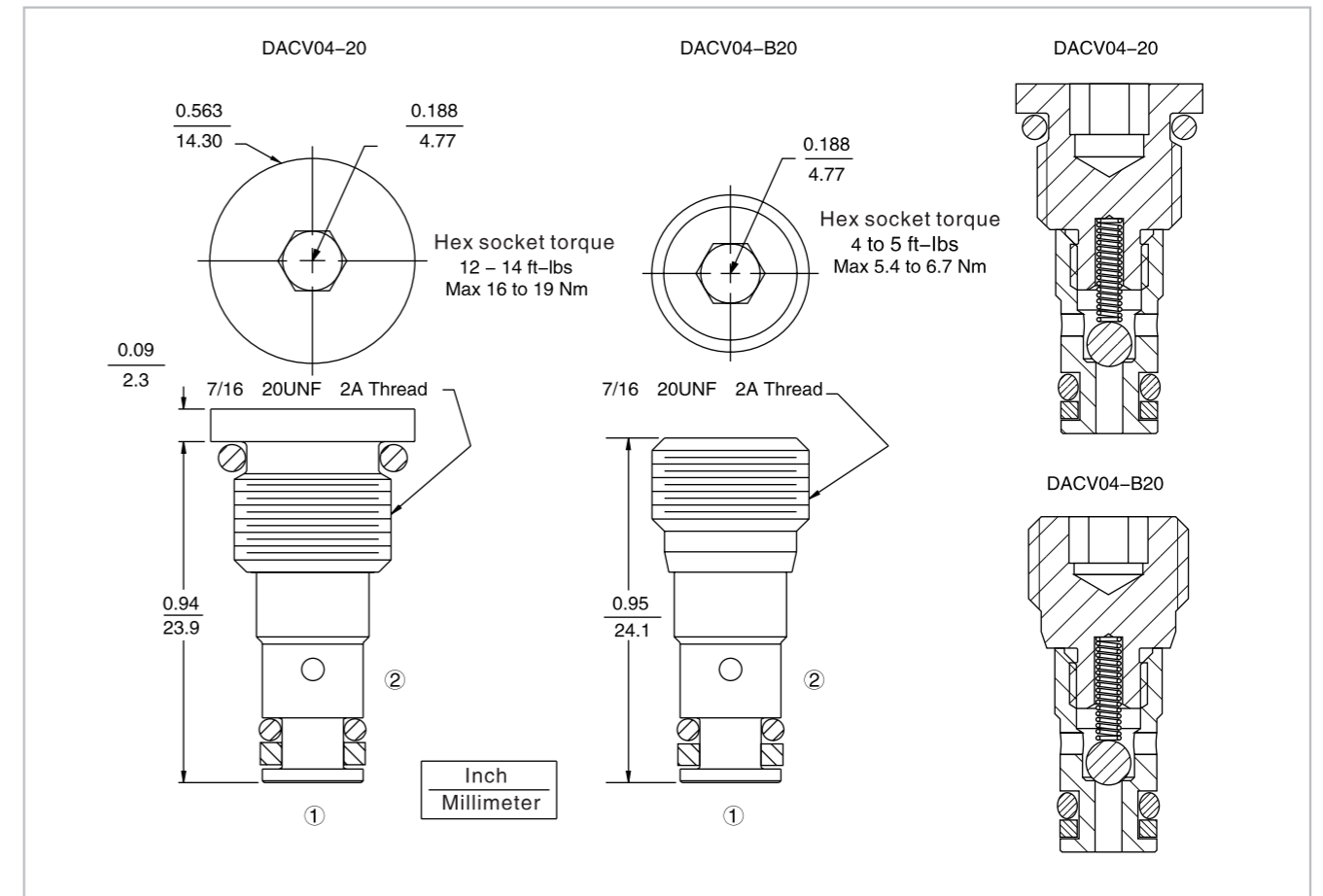
Max. operating pressure:	241.3 Bar
Flow:	See pressure drop vs.flow graph
Internal leakage:	2 Drops/min.max.at 206.8 bar
Crack Pressures:	0.34 Bar
Temperature:	(-40°C To +120°C) with NBR material seals
Fluids:	Mineral-based fluids with viscosities of 7.4 to 420 cSt.
Cavity:	HY04-2,see page H.1.1
Body material:	Steel & ductile iron rated to 350 bar

Code symbol , profile and pressure drop vs.flow



HYCV04-20 (Check Valve,Ball Type)

External dimensions



Material science and order model

