

## HYCV08-B20 (Check Valve,Poppet Type)

### Description

A cartridge-style poppet-type check valve.

### Operation

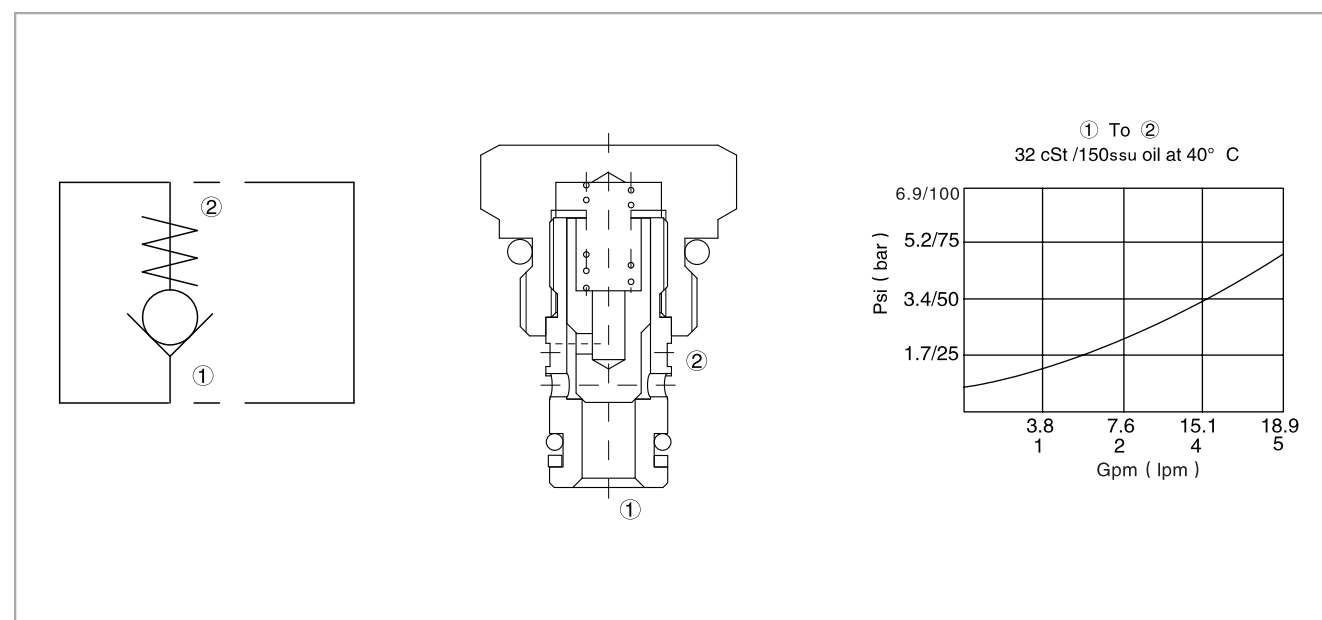
Pressure at ① overcomes the spring-bias poppet and allows free flow from ① to ②.

Flow in the opposite direction, from ② to ①, is blocked by the poppet.

### Specifications

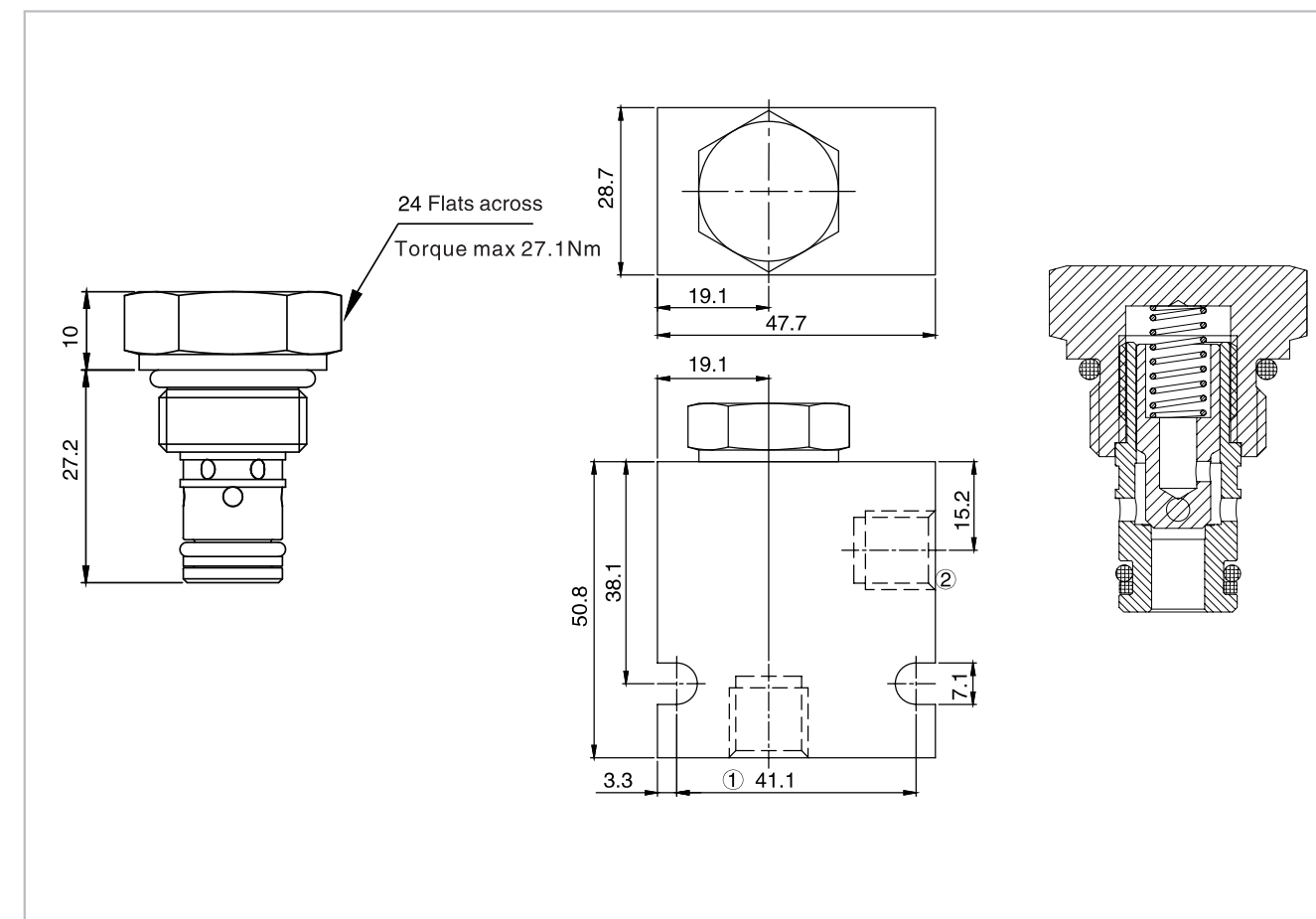
Max. operating pressure:	250 Bar
Flow:	See pressure drop vs.flow graph
Internal leakage:	2 Drops/min.max.at 250 bar
Crack pressure:	0.3 Bar
	0.7 Bar
	1.7 Bar
	2.1 Bar
	3.0 Bar
	4.1 Bar
Temperature:	6.9 Bar
	(-40°C To +120°C) with NBR material seals
Fluids:	Mineral-based fluids with viscosities of 7.4 to 420 cSt.
Cavity:	HY08-2,see page H.1.2
Body material:	6061-T6 Aluminum alloy rated to 207 bar, steel & ductile iron rated to 350 bar

### Code symbol , profile and pressure drop vs.flow



## HYCV08-B20 (Check Valve,Poppet Type)

### External dimensions



### Material science and order model

Cartridge: weight: 0.15 kg ( 0.32 lb);  
Steel, the working face is duratected  
Surface zinc-plated;  
NBR material sealing and  
check ring (standard).

Block: weight :0.16 kg (0.35 lb);  
High-strength performance aluminum  
alloy with anodic oxidation;  
#6061 T6;  
Rated pressure up to 240 bar (3500 psi);  
Also available with ductile cast iron and  
steel material;  
Size might be different, please consult factory.

HYCV08-B20		Porting		Bias spring	
Cartridge only	0		4	0.3 Bar (4 psi)	
SAE 4	4T		10	0.7 Bar (10 psi)	
SAE 6	6T		25	1.7 Bar (25 psi)	
SAE 8	8T		60	4.1 Bar (60 psi)	
1/4 Inch BSP*	2B		100	6.9 Bar (100 psi)	
3/8 Inch BSP*	3B		150	10.3 Bar (150 psi)	
1/2 Inch BSP*	4B		200	13.8 Bar (200 psi)	
			270	18.3 Bar (270 psi)	
		Seals			
		Buna (Std.)		N	
		Fluorocarbon		V	