

HYCV08-21 (Check Valve,Reverse Type)

Description

A cartridge-style poppet-type check valve.

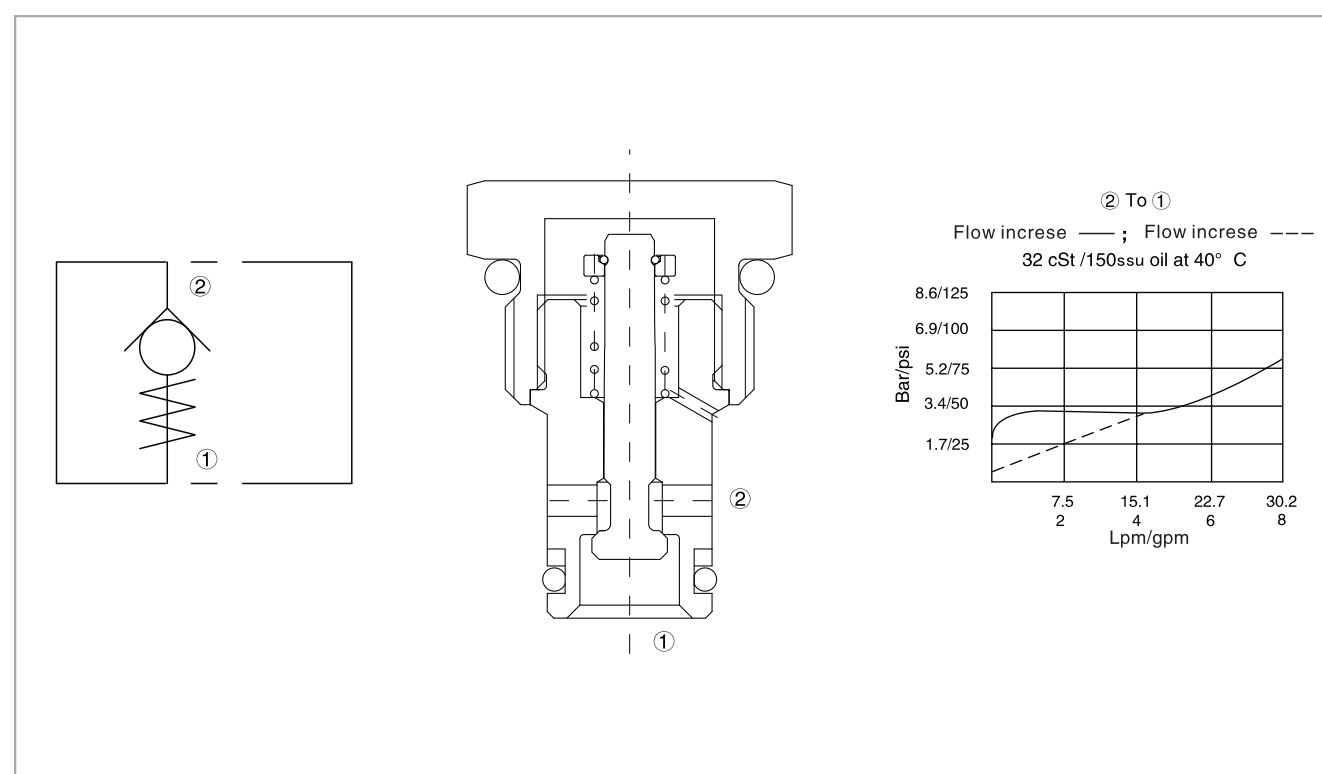
Operation

When pressure at ② rises above the spring bias pressure, the poppet is pushed from its seat and flow allowed from ② to ①. The valve is closed (checked) from ① to ②.

Specifications

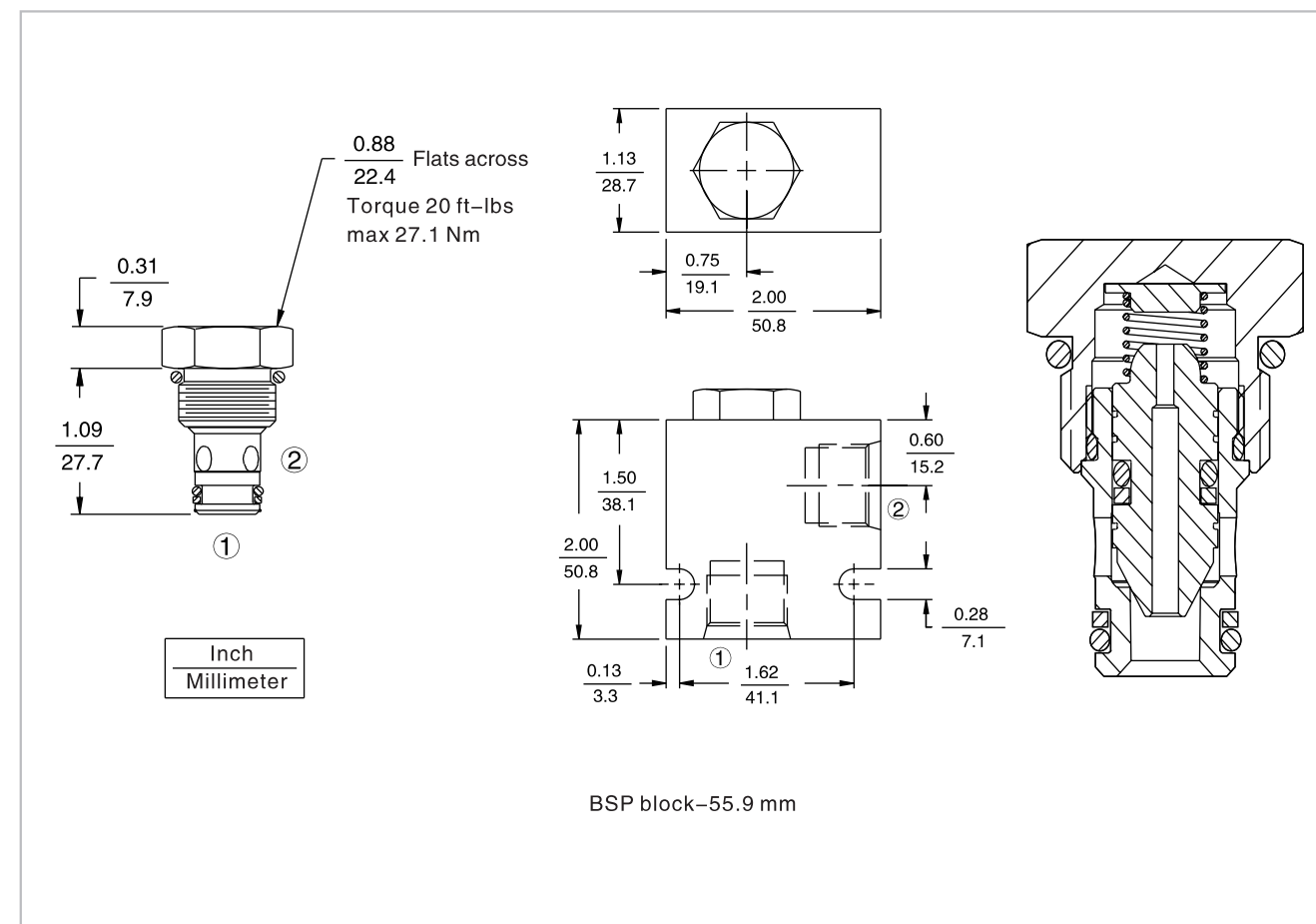
Max. operating pressure:	240 Bar
Flow:	See pressure drop vs.flow graph
Internal leakage):	5 Drops/min.max.at 240 bar
Crack pressure:	Rating: 2.1 Bar Actual opening pressure range: 1.9 Bar ~ 2.8 Bar If the valve does not operate for a period of time, its initial opening pressure may be higher than the subsequent opening pressure.
Temperature:	(-40°C To +120°C) with NBR material seals
Fluids:	Mineral-based fluids with viscosities of 7.4 to 420 cSt.
Cavity:	HY08-2,see page H.1.2
Body material:	Steel & ductile iron rated to 350 bar

Code symbol , profile and pressure drop vs.flow



HYCV08-21 (Check Valve,Reverse Type)

External dimensions



Material science and order model

Cartridge: weight: 0.05 kg (0.12 lb);
Steel,the working face is duratected
Surcace zine-plated;
NBR material sealing and
check ring (standard).
Block:weight :0.16 kg (0.35 lb);
High-strength performance aluminum
alloy with anodic oxidation;
#6061 T6;
Rated pressure up to 240 bar (3500 psi);
Also available with ductile cast iron and
steel material;
Size might be different,please consult factory.

HYCV08-21	-	-	-	30
	Porting			Bias spring
	Cartridge only	0		30 2.07 Bar (30 psi)
	SAE 4	4T		
	SAE 6	6T		
	SAE 8	8T		
	1/4 Inch BSP*	2B		
	3/8 Inch BSP*	3B		
	1/2 Inch BSP*	4B		
			Seals	
			N	Buna (Std.)
			V	Fluorocarbon