

HYCV10-24 (Check Valve, Reverse Type)

Description

A cartridge-style poppet-type check valve.

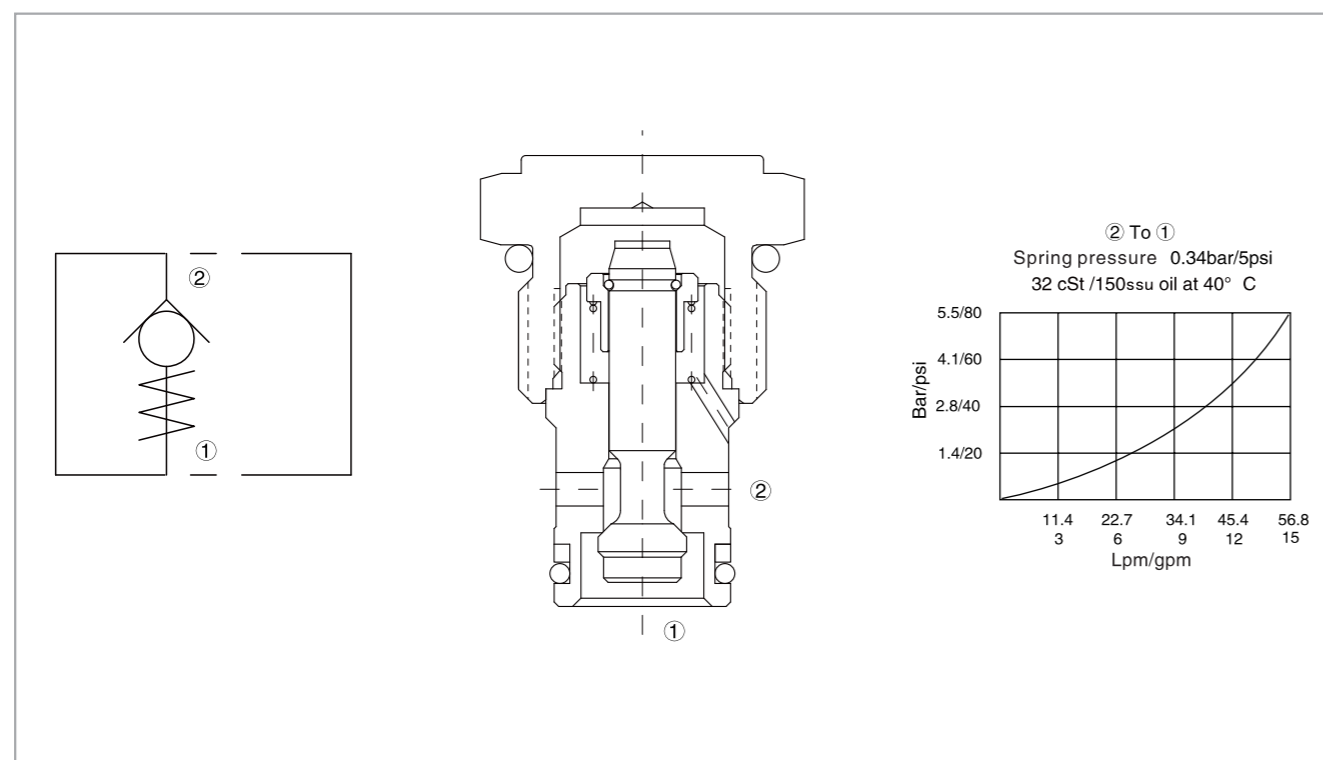
Operation

When pressure at ② rises above the spring bias pressure, the poppet is pushed from its seat and flow allowed from ② to ①. The valve is closed (checked) from ① to ②.

Specifications

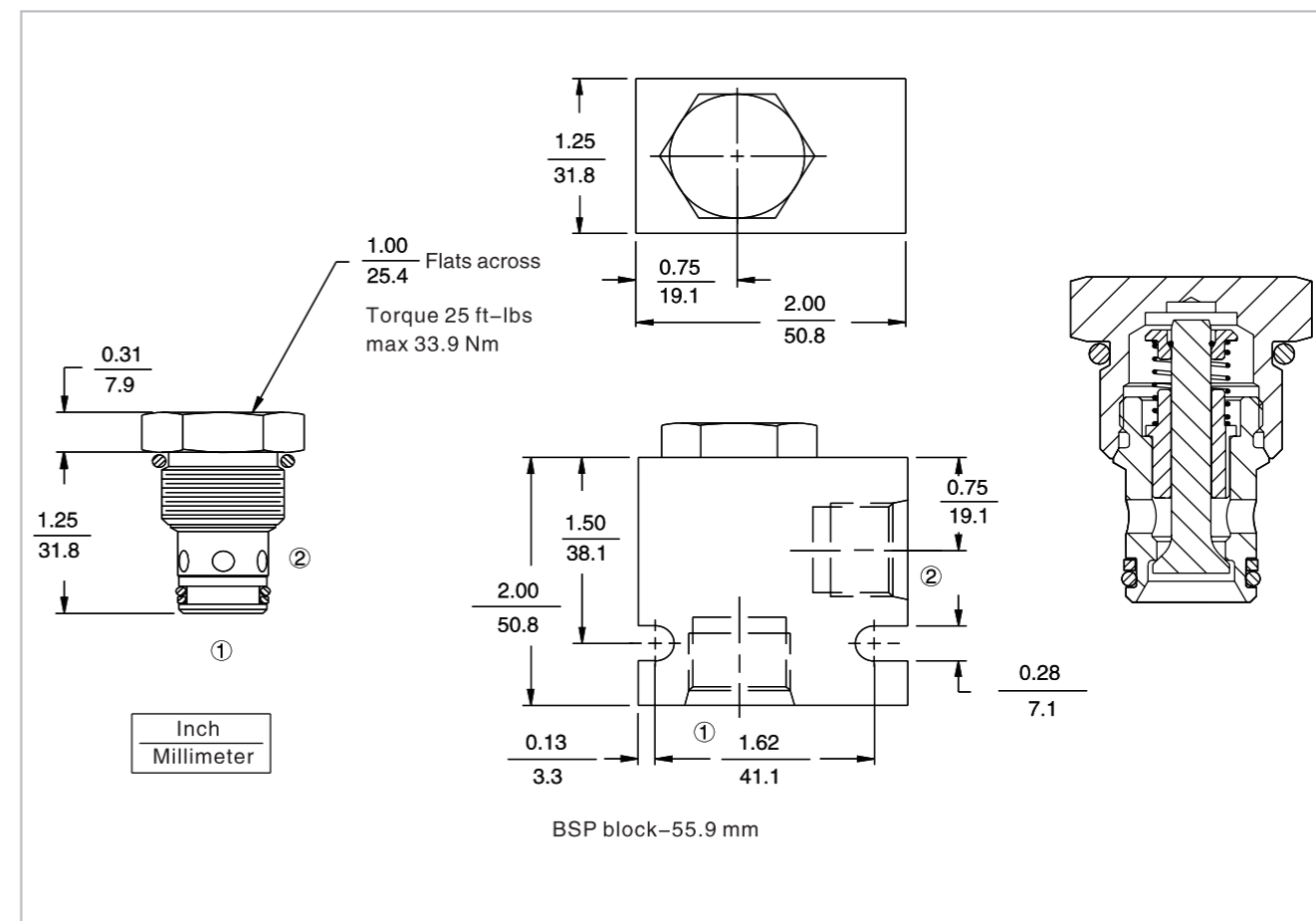
Max. operating pressure:	240 Bar
Flow:	See pressure drop vs. flow graph
Internal leakage:	5 Drops/min. max. at 240 bar
Crack pressure:	0.35 Bar
	1.7 Bar
Temperature:	3.8 Bar
	(-40°C To +120°C) with NBR material seals
Fluids:	Mineral-based fluids with viscosities of 7.4 to 420 cSt.
Cavity:	HY10-2, see page H.1.3
Body material:	Steel & ductile iron rated to 350 bar

Code symbol , profile and pressure drop vs. flow



HYCV10-24 (Check Valve, Reverse Type)

External dimensions



Material science and order model

Cartridge: weight: 0.08 kg (0.17 lb);
 Steel, the working face is duratected
 Surface zinc-plated;
 NBR material sealing and
 check ring (standard).
 Block: weight :0.16 kg (0.35 lb);
 High-strength performance aluminum
 alloy with anodic oxidation;
 #6061 T6;
 Rated pressure up to 240 bar (3500 psi);
 Also available with ductile cast iron and
 steel material;
 Size might be different, please consult factory.

HYCV10-24		Bias spring	
Porting			
Cartridge only	0		05 0.34 Bar (5 psi)
SAE 6	6T		
SAE 8	8T		
1/4 Inch BSP*	2B		
3/8 Inch BSP*	3B		
1/2 Inch BSP*	4B		
		Seals	
		N Buna (Std.)	
		V Fluorocarbon	