

HYPC08-30 (Pilot Operated Check Valve)

Description

A cartridge-style pilot-to-open ball-type check valve.

Operation

The valve allows flow from ② to ③, while normally blocking flow from ③ to ②.

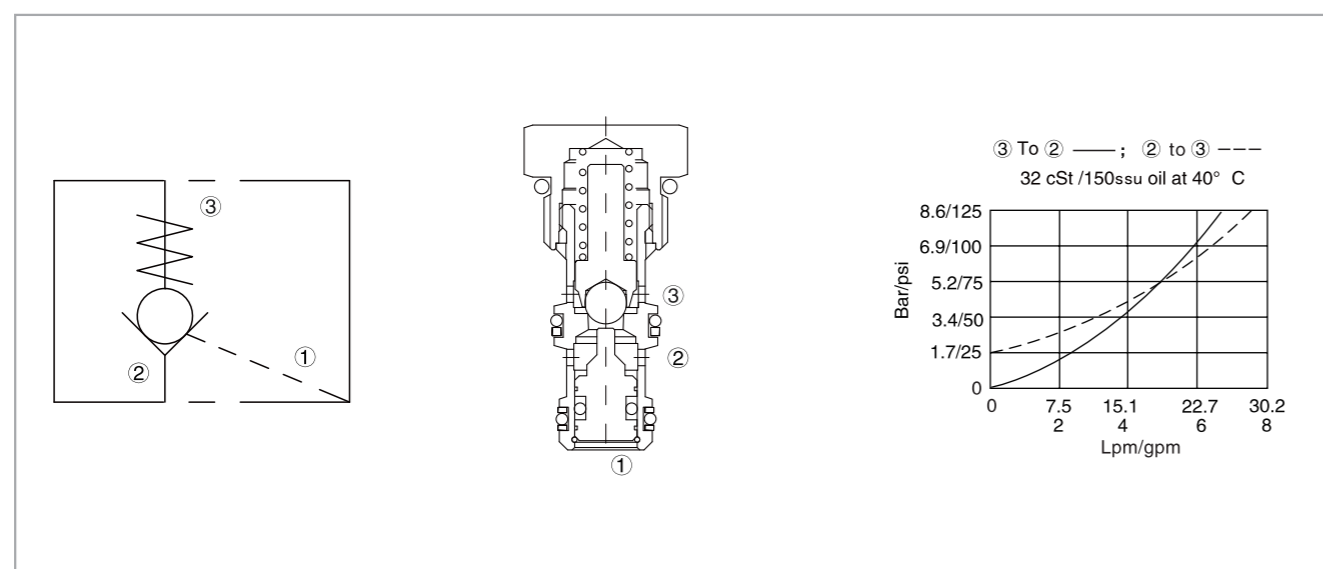
Flow will be allowed from ③ to ② when sufficient pressure is applied at ①.

The cartridge has a 3:1 pilot ratio, meaning that at least one-third of the load pressure held at ③ is required at ① to open the valve.

Specifications

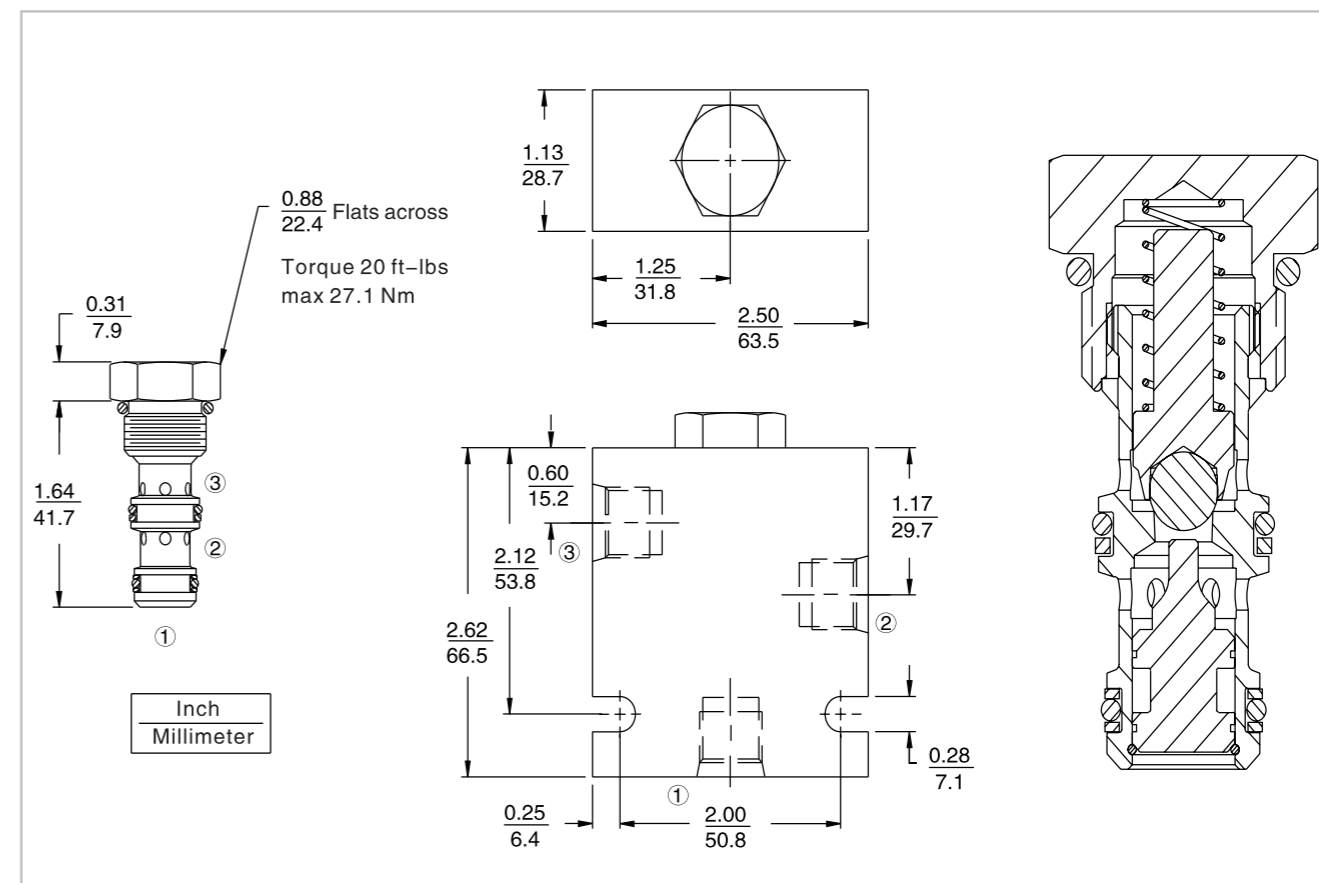
Max. operating pressure:	240 Bar
Flow:	See pressure drop vs. flow graph
Internal leakage:	③ to ② : 2 Drops/min. at 240bar
	② to ① : 115 ml/min. at 240bar
Crack pressure:	1.7 Bar
	4.8 Bar
	6.2 Bar
	18.3 Bar
Pilot ratio:	3:1
Temperature:	(-40°C To +120°C) with NBR material seals
Fluids:	Mineral-based fluids with viscosities of 7.4 to 420 cSt.
Cavity:	HY08-3, see page H.1.2
Body material:	6061-T6 Aluminum alloy rated to 207 bar, steel & ductile iron rated to 350 bar

Code symbol, profile and pressure drop vs. flow



HYPC08-30 (Pilot Operated Check Valve)

External dimensions



Material science and order model

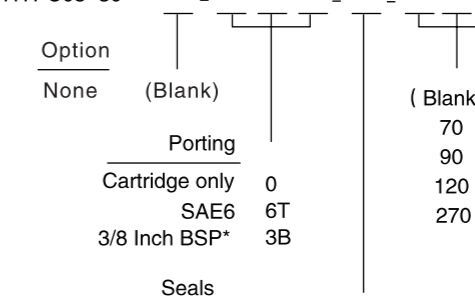
Cartridge: weight: 0.08 kg (0.18 lb);
Steel, the working face is duratected
Surface zinc-plated;
NBR material sealing and
check ring (standard).

Block: weight : 0.27 kg (0.60 lb);
High-strength performance aluminum
alloy with anodic oxidation;
#6061 T6;

Rated pressure up to 240 bar (3500 psi);
Also available with ductile cast iron and
steel material;

Size might be different, please consult factory.

HYP08-30



Buna N (std.) N
Buna N (with sealed piston) : NS
Require 6.2 bar (90 psi) minimum spring
Fluorocarbon V
Fluorocarbon with sealed piston VS
Require 6.2 bar (90 psi) minimum spring