

HYPD10-35 (Two Way Pilot Directional Valve, Normally Open)

Description

A cartridge-style 2-way pilot-operated spool-type directional valve.

Operation

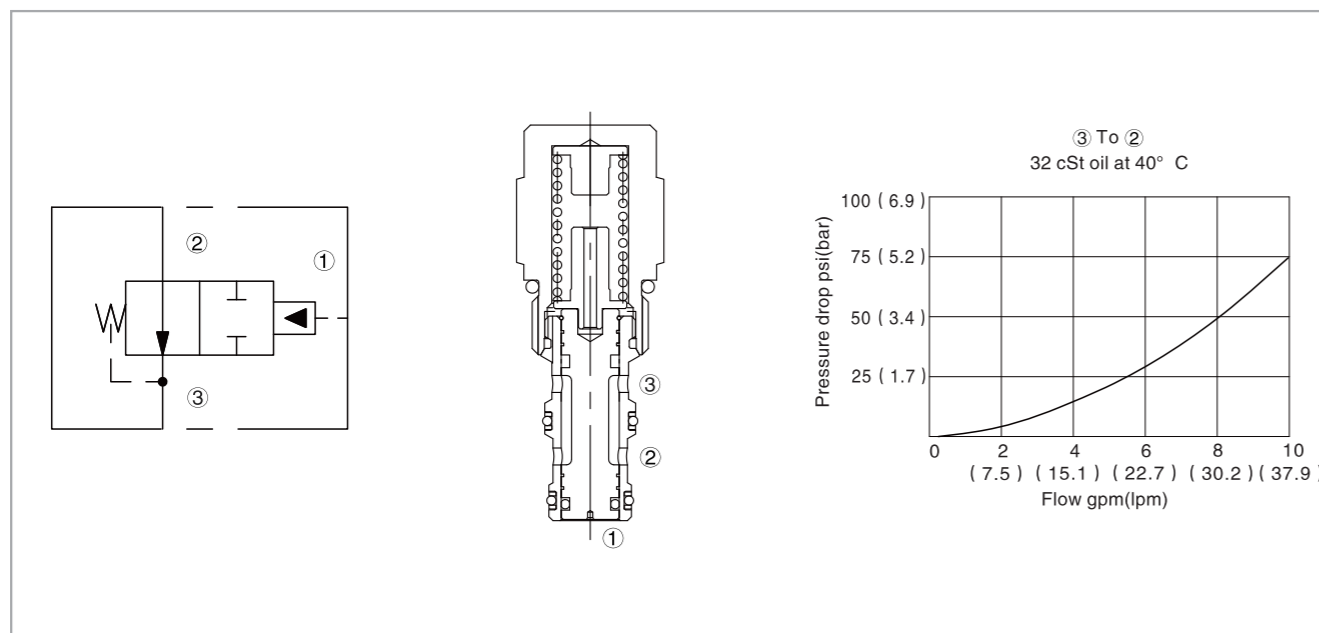
Unpiloted, the valve allows flow between ② and ③. The spring bias chamber is internally vented to ③. On remote pilot signal at ①, the valve shifts to open ② to ③ bidirectionally.

Note: Back pressure at ③ will increase the pilot pressure required at 1 to shift, at a ratio of 1:1. Consult factory for applications where bi-directional flow is required when the valve is in the normal or spring-offset position.

Specifications

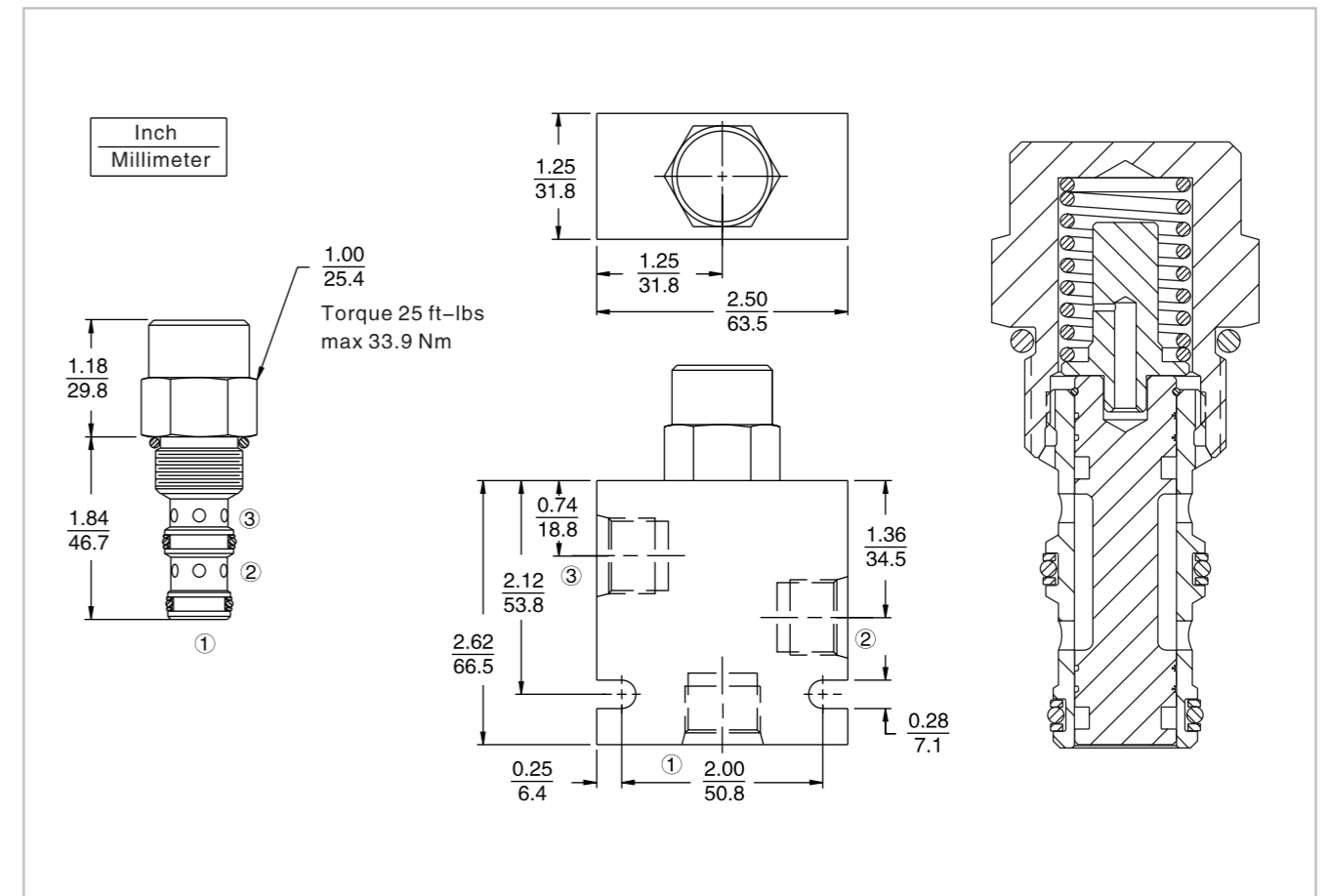
Max. operating pressure:	240 Bar
Flow:	See pressure drop vs. flow graph
Internal leakage:	82 cc/min. max. at 207 bar
Pilot pressure required:	To full spool shift: For 4.1bar spring : 4.7bar For 7.6bar spring : 8.6bar
Temperature:	(-40°C To +120°C) with NBR material seals
Fluids:	Mineral-based fluids with viscosities of 7.4 to 420 cSt.
Cavity:	HY10-3, see page H.1.4
Body material:	6061-T6 Aluminum alloy rated to 207 bar, steel & ductile iron rated to 350 bar

Code symbol, profile and pressure drop vs. flow



HYPD10-35 (Two Way Pilot Directional Valve, Normally Open)

External dimensions



Material science and order model

Cartridge: weight: 0.15 kg (0.34 lb);
Steel, the working face is duratected
Surface zinc-plated;
NBR material sealing and
check ring (standard).

Block: weight: 0.36 kg (0.80 lb);
High-strength performance aluminum
alloy with anodic oxidation;
#6061 T6;
Rated pressure up to 240 bar (3500 psi);
Also available with ductile cast iron and
steel material;
Size might be different, please consult factory.

HYPD10-35		Porting		Bias spring	
Cartridge only	0	SAE 6	6T	40	2.8 Bar (40 psi)
		SAE 8	8T	60	4.1 Bar (60 psi)
		1/4 Inch BSP*	2B	110	7.6 Bar (110 psi)
		3/8 Inch BSP*	3B	170	11.7 Bar (170 psi)
*BSP block only for UK made					
Noted: 110 psi bias spring is the minimum required for use with sealed spool.					
Seals					
N	Buna N (std.)				
NS	Buna N (with sealed piston)				
V	Fluorocarbon				
VS	Fluorocarbon with sealed piston				