

HYPD10-41 (Three Way Pilot Directional Valve)

Description

A cartridge-style 3-way pilot-operated spool-type external-nent directional valve.

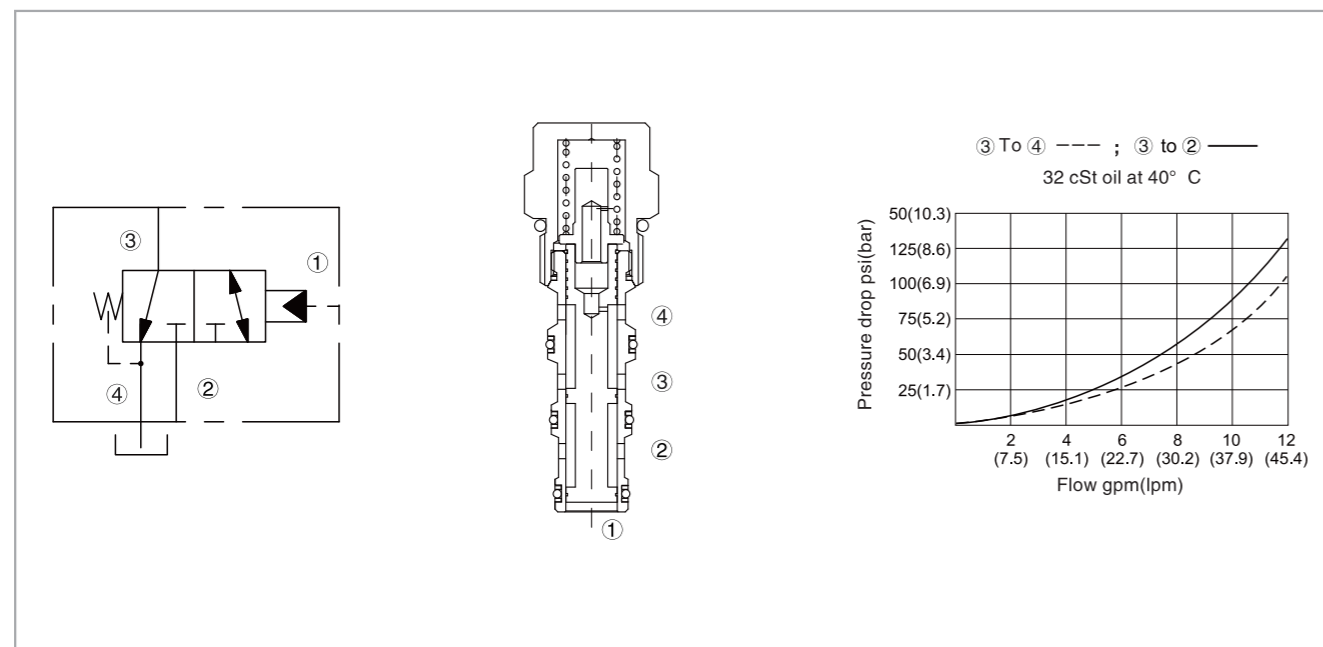
Operation

On no remote pilot signal at ①, the valve allows flow from ③ to ④, while flow is blocked at ②.
 On remote pilot signal at ①, the valve shifts to open from ③ to ②, while blocking flow at ④.
 Since ④ is common to the spring chamber, pressure on ④ will directly (1:1) affect the pilot pressure required, and must always be added to the bias spring value.

Specifications

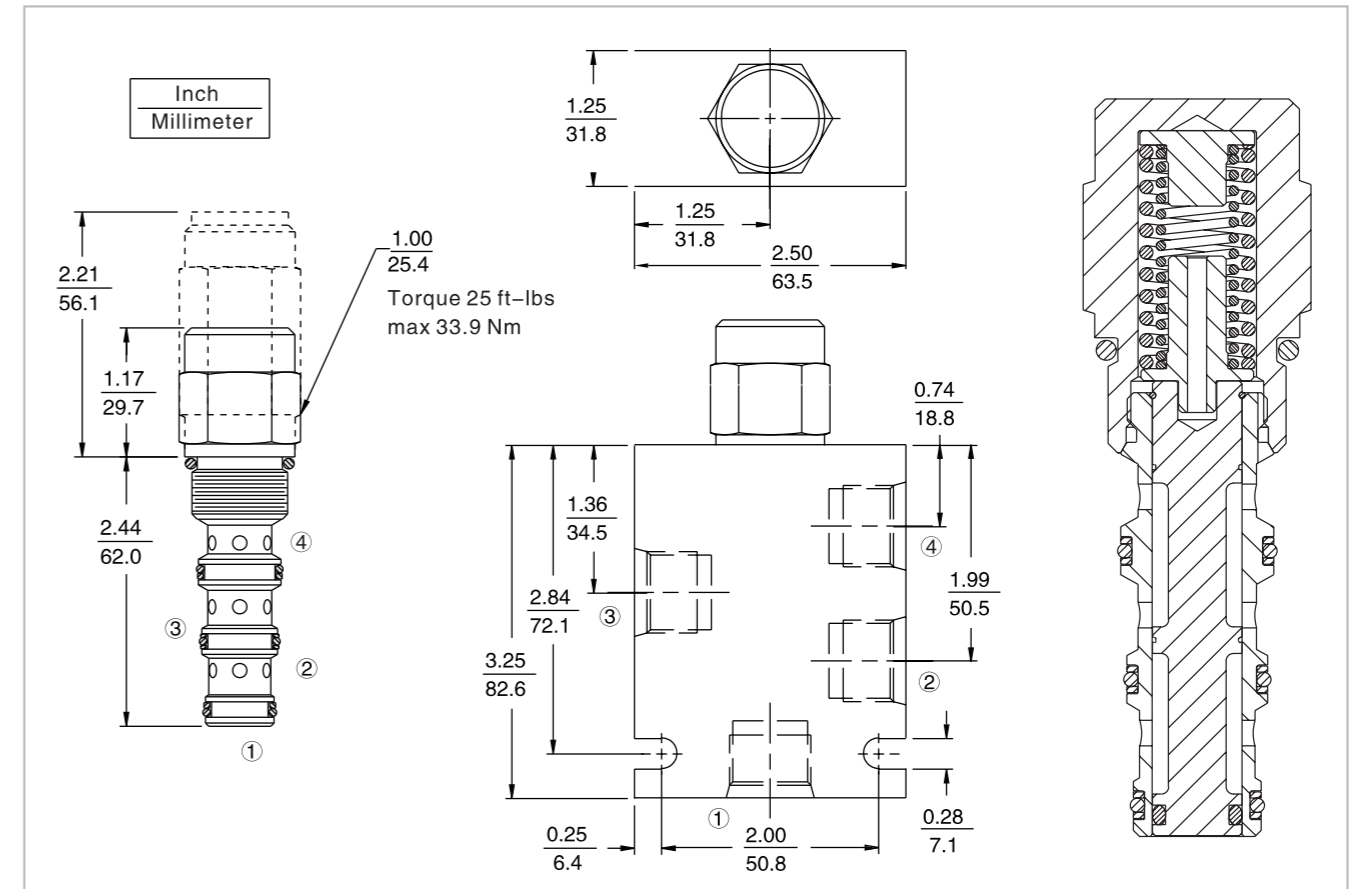
Max. operating pressure:	240 Bar
Flow:	See pressure drop vs. flow graph
Internal leakage:	82 cc/min. max. at 207 bar
Pilot pressure required:	To spool crossover -4.1 bar (60psi) spring: 4.7 bar(68.2psi) -7.6 bar(110psi) spring: 7.6 bar(110psi) To full spool shift -4.1 bar (60psi) spring: 5.2 bar (75psi) -7.6 bar(110psi) spring: 8.6 bar(125psi)
Temperature:	(-40°C To +120°C) with NBR material seals
Fluids:	Mineral-based fluids with viscosities of 7.4 to 420 cSt.
Cavity:	HY10-4, see page H.1.4
Body material:	6061-T6 Aluminum alloy rated to 207 bar, steel & ductile iron rated to 350 bar

Code symbol , profile and pressure drop vs. flow



HYPD10-41 (Three Way Pilot Directional Valve)

External dimensions



Material science and order model

Cartridge: weight: 0.16 kg (0.35 lb);
 Steel, the working face is duratected
 Surface zinc-plated;
 NBR material sealing and
 check ring (standard).

Block: weight :0.34 kg (0.75 lb);
 High-strength performance aluminum
 alloy with anodic oxidation;
 #6061 T6;
 Rated pressure up to 240 bar (3500 psi);
 Also available with ductile cast iron and
 steel material;
 Size might be different, please consult factory.

HYPD10-41 - - - -

Options	Porting	Bias spring	Seals
None (blank)	Cartridge only 0	60 4.1 Bar (60 psi)	N Buna N (std.)
Open transition N	SAE 6 6T	110 7.6 Bar (110 psi)	NS Buna N with sealed spool
Tall cap T	SAE 8 8T	170 11.7 Bar (170 psi)	V Fluorocarbon
	1/4 Inch BSP* 2B	*200 14 Bar(203psi)	VS Fluorocarbon with sealed spool
	3/8 Inch BSP* 3B		

*BSP block only for UK made