

# HYMP08-20 (Manual Cartridge Valve)

## Description

A cartridge-style manual 2-way pull-to-open directional valve.

## Operation

The valve blocks flow ② to ① until an operator pulls the shaft outward.

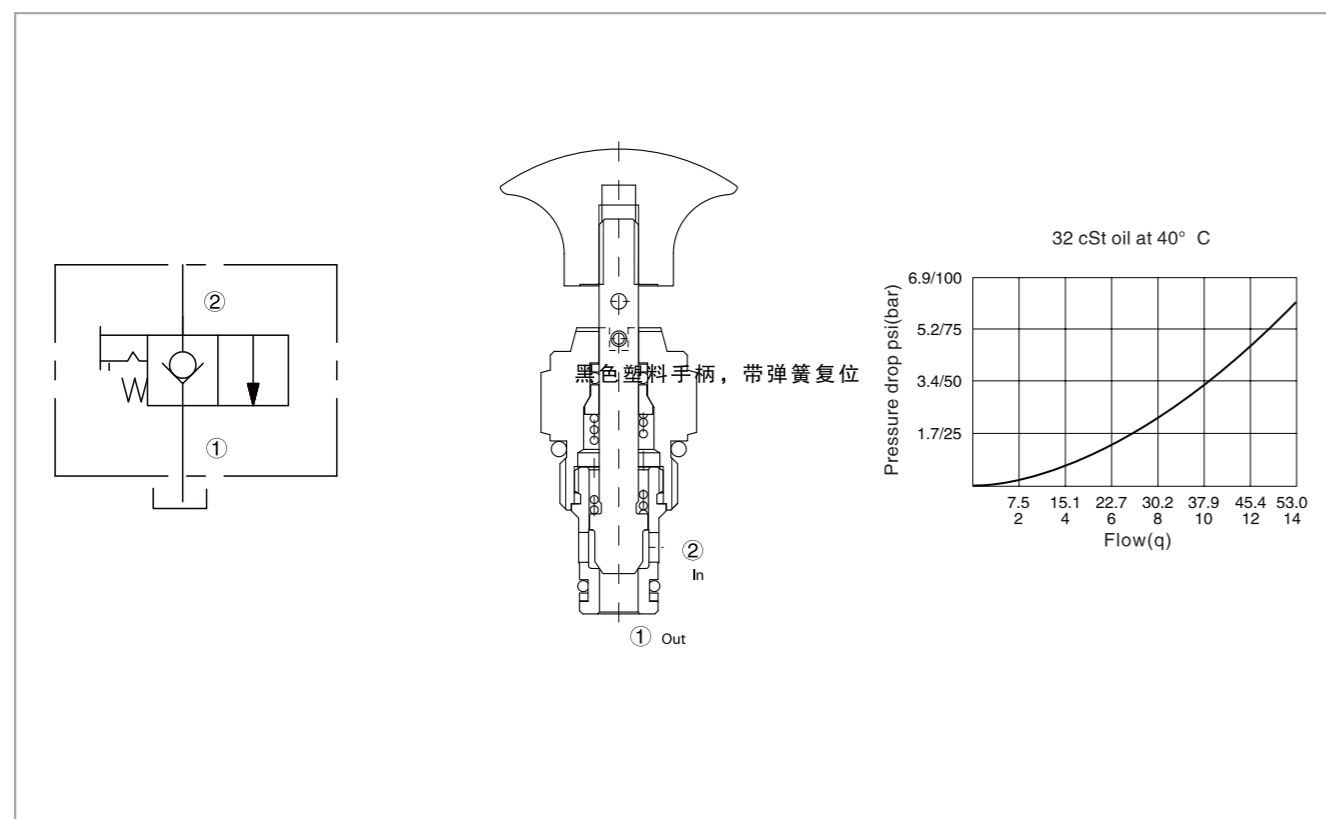
A unique pull-and-rotate feature for holding the positive actuated position is optional.

A 90° rotation is required to position at the hold slot. The valve resets to spring-return de-actuated with a slight pull and a 90° turn from the locked actuated position.

## Specifications

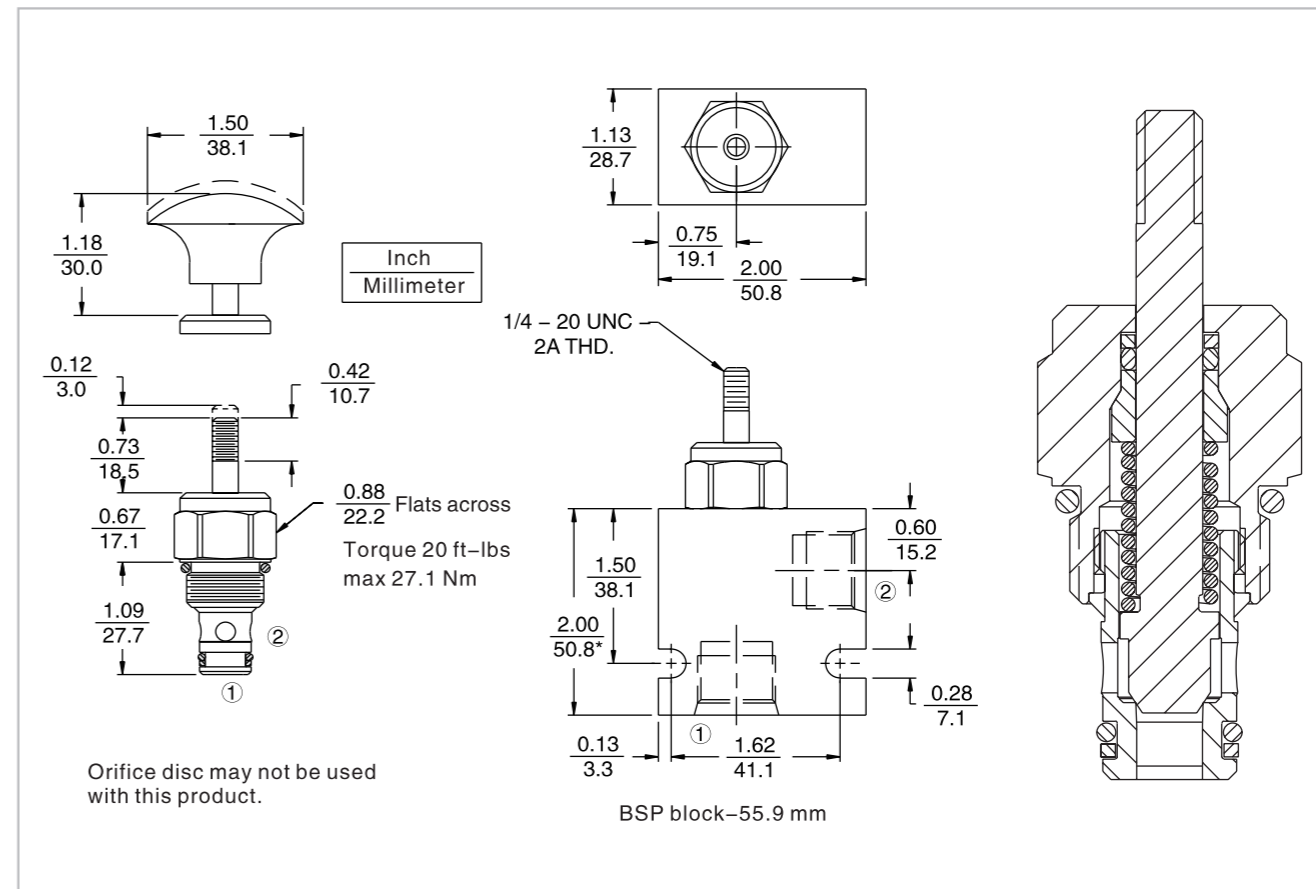
Max. operating pressure:	207 Bar
Flow:	See pressure drop vs. flow graph
Internal leakage:	5 Drops/min.max.at 207 bar
Temperature:	(-40°C To +120°C) with NBR material seals
Fluids:	Mineral-based fluids with viscosities of 7.4 to 420 cSt.
Cavity:	HY08-2, see page H.1.2
Body material:	6061-T6 Aluminum alloy rated to 207 bar, steel & ductile iron rated to 350 bar

## Code symbol , profile and pressure drop vs. flow



# HYMP08-20 (Manual Cartridge Valve)

## External dimensions



## Material science and order model

Cartridge: weight: 0.10 kg (0.22 lb);  
Steel, the working face is duratected  
Surface zinc-plated;  
NBR material sealing and  
check ring (standard).

Block: weight :0.16 kg (0.35 lb);  
High-strength performance aluminum  
alloy with anodic oxidation;  
#6061 T6;  
Rated pressure up to 240 bar (3500 psi);  
See 8.008.1

Also available with ductile cast iron and  
steel material;  
Size might be different, please consult factory.

Options		Seals	
Threaded shaft w/spring return	T	N	Buna N ( std. )
Black plastic knob w/spring return	K	V	Fluorocarbon
Red plastic knob w/spring return	J		
Porting			
Cartridge only	0		
SAE 4	4T		
SAE 6	6T		
SAE 8	8T		
1/4 Inch BSP*	2B		
3/8 Inch BSP*	3B		
1/2 Inch BSP*	4B		

\*BSP block only for UK made