

HYMP10-20 (Manual Cartridge Valve)

Description

A cartridge-style manual 2-way pull-to-open directional valve.

Operation

The valve blocks flow from ② to ① flow path until an operator pulls the shaft outward.

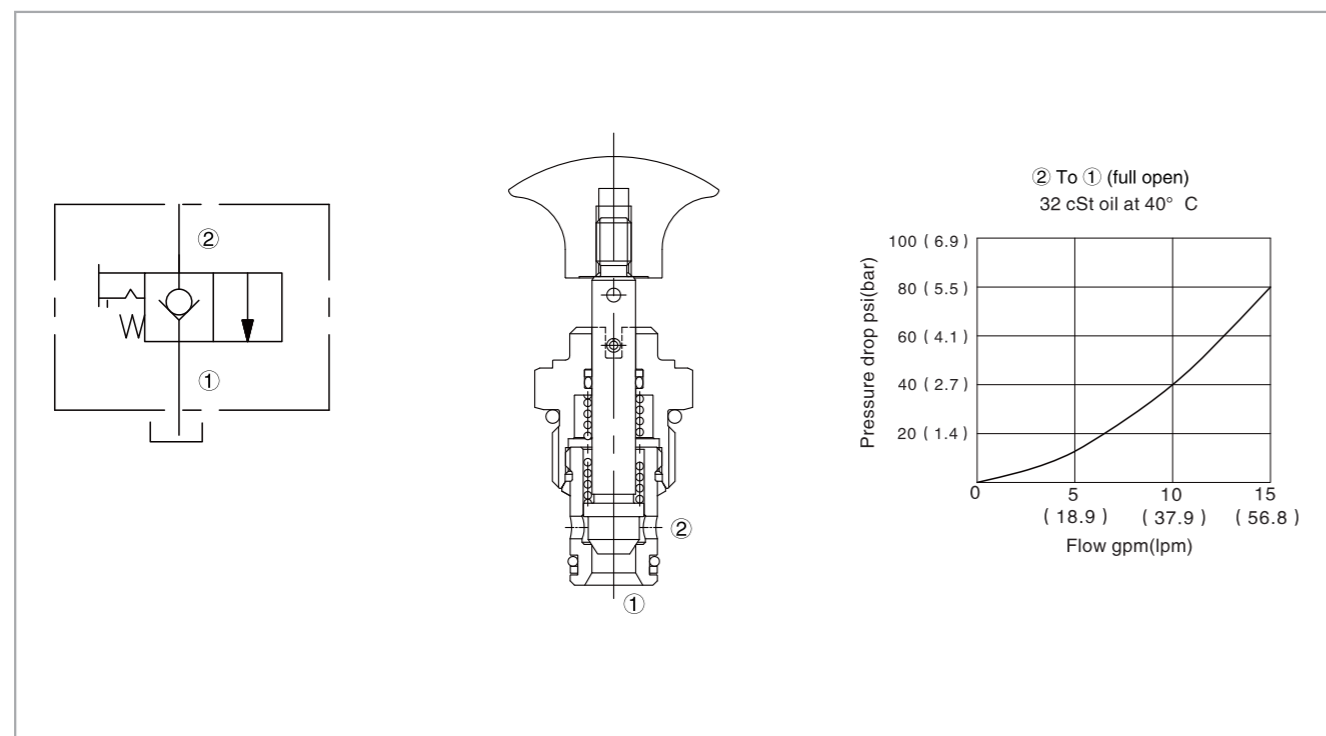
Note: Pressure at port ① will directly act on the spool and spring. Port ① is intended to be a tank port only. The bias spring allows for up to 12.4 bar (180 psi) back-pressure at ① before the valve will open. A unique 90° rotational lock is optional for positive "open" position holding.

The valve resets to spring return-to-close with a 90° turn from the locked-open position.

Specifications

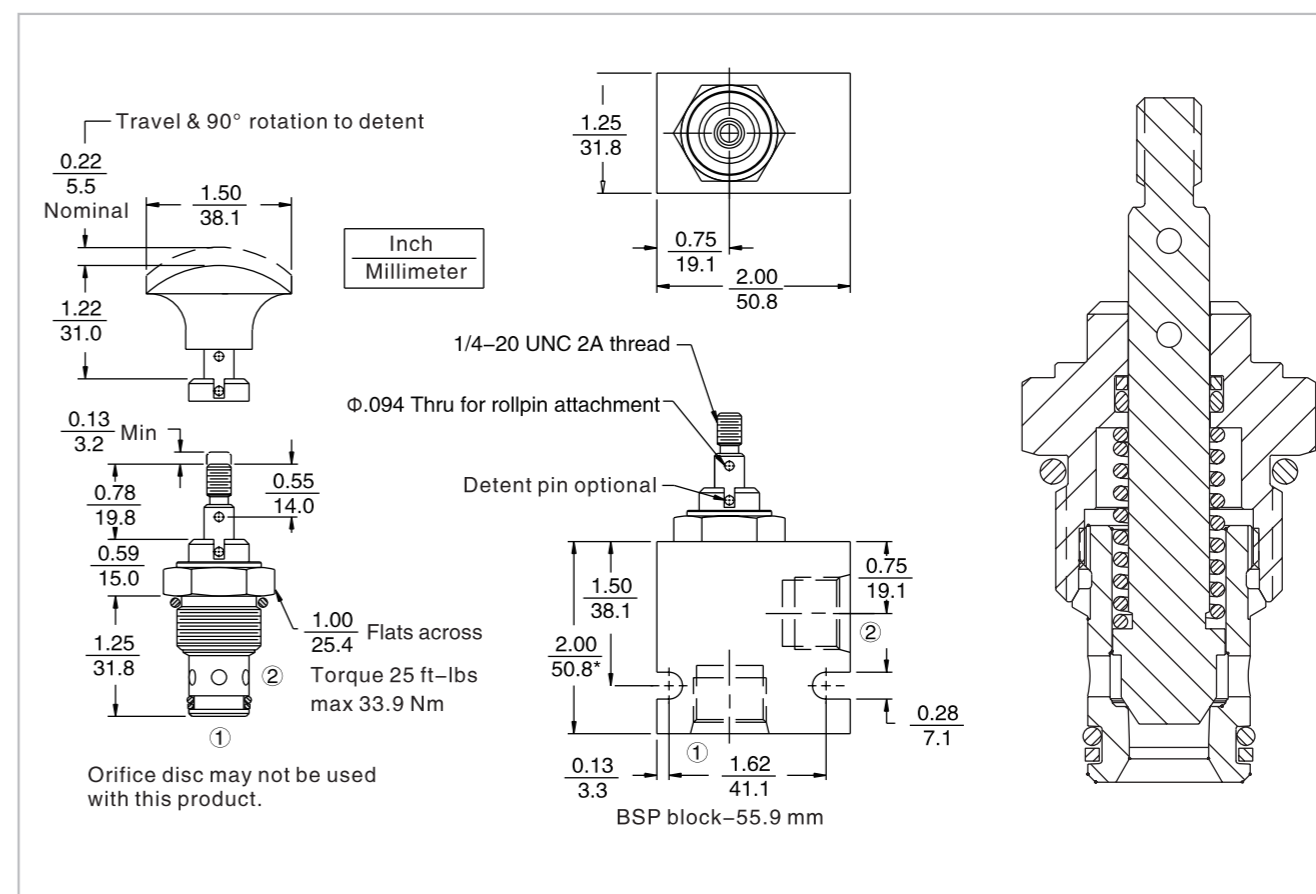
Max. operating pressure:	207 Bar
Flow:	See pressure drop vs. flow graph
Internal leakage:	5 Drops/min. max. at 207 bar
Temperature:	(-40°C To +120°C) with NBR material seals
Fluids:	Mineral-based fluids with viscosities of 7.4 to 420 cSt.
Cavity:	HY10-2, see page H.1.3
Body material:	6061-T6 Aluminum alloy rated to 207 bar, steel & ductile iron rated to 350 bar

Code symbol , profile and pressure drop vs. flow



HYMP10-20 (Manual Cartridge Valve)

External dimensions



Material science and order model

Cartridge: weight: 0.10 kg (0.22 lb);
Steel, the working face is duratected
Surface zinc-plated;
NBR material sealing and
check ring (standard), plastic knob option.

Block: weight: 0.16 kg (0.35 lb);
High-strength performance aluminum
alloy with anodic oxidation;
#6061 T6;
Rated pressure up to 240 bar (3500 psi);
See 8.010.1
Also available with ductile cast iron and
steel material;
Size might be different, please consult factory.

Options		Seals	
Threaded shaft w/spring return	T	N	Buna N (std.)
Threaded shaft w/lock position pin	R	V	Fluorocarbon
Black plastic knob /spring return	K		
Black plastic knob /lock position pin	D		
Red plastic knob /spring return	J		
Red plastic knob /lock position pin	L		
Porting			
0	Cartridge only		
6T	SAE 6		
8T	SAE 8		
2B	1/4 Inch BSP*		
3B	3/8 Inch BSP*		
4B	1/2 Inch BSP*		

*BSP block only for UK made