

HYLS10-30 (Load Shuttle Valve)

Description

A cartridge-style ball-type shuttle valve.

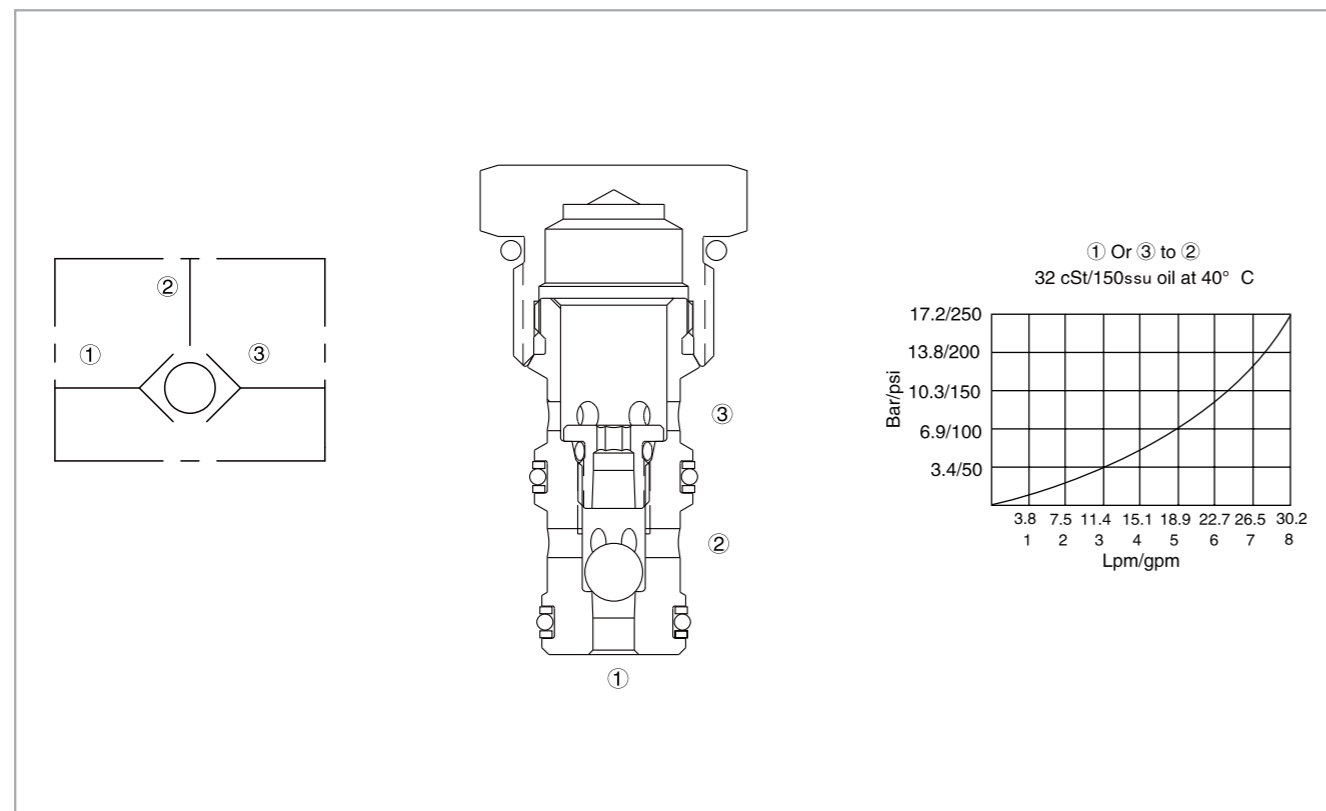
Operation

The valve will allow flow from the higher pressure of port ① or ③ to the port ②. The valve is commonly used to direct oil from the pressure side of a bidirectional hydraulic motor to a pressure-released hydraulic brake.

Specifications

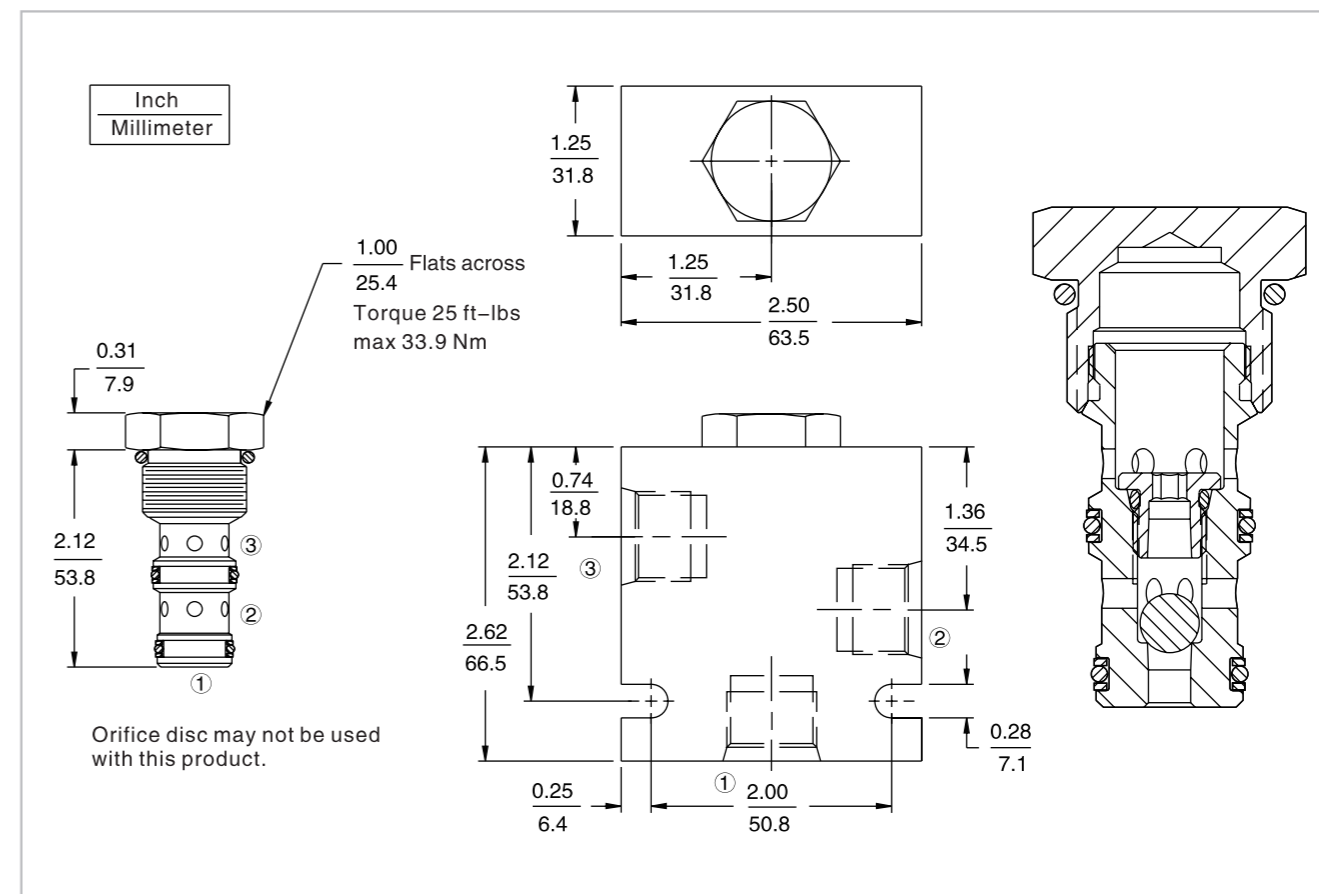
Operating pressure:	240 Bar
Proof pressure:	390 Bar
Flow:	See pressure drop vs. flow graph
Internal leakage:	5 Drops/min. max. at 207bar
Temperature:	(-40°C To +120°C) with NBR material seals
Fluids:	Mineral-based fluids with viscosities of 7.4 to 420 cSt.
Cavity:	HY10-3, see page H.1.4
Body material:	6061-T6 Aluminum alloy rated to 207 bar, steel & ductile iron rated to 350 bar

Code symbol , profile and pressure drop vs. flow



HYLS10-30 (Load Shuttle Valve)

External dimensions



Material science and order model

Cartridge: weight: 0.08 kg (0.17 lb);
Steel, the working face is duratected
Surface zinc-plated;
NBR material sealing and
check ring (standard).

Block: weight :0.36 kg (0.80 lb);
High-strength performance aluminum
alloy with anodic oxidation;
#6061 T6;
Rated pressure up to 240 bar (3500 psi);
See 8.0008.1

Also available with ductile cast iron and
steel material;
Size might be different, please consult factory.

HYLS10-30

Porting		Seals	
Cartridge only	0	N	Buna N (std.)
SAE6	6T	V	Fluorocarbon
SAE8	8T		
1/4 Inch BSP*	2B		
3/8 Inch BSP*	3B		