

HYRV08 (Cartridge Direct Acting Relief Valve)

Description

A cartridge-style direct-acting poppet-type relief valve.

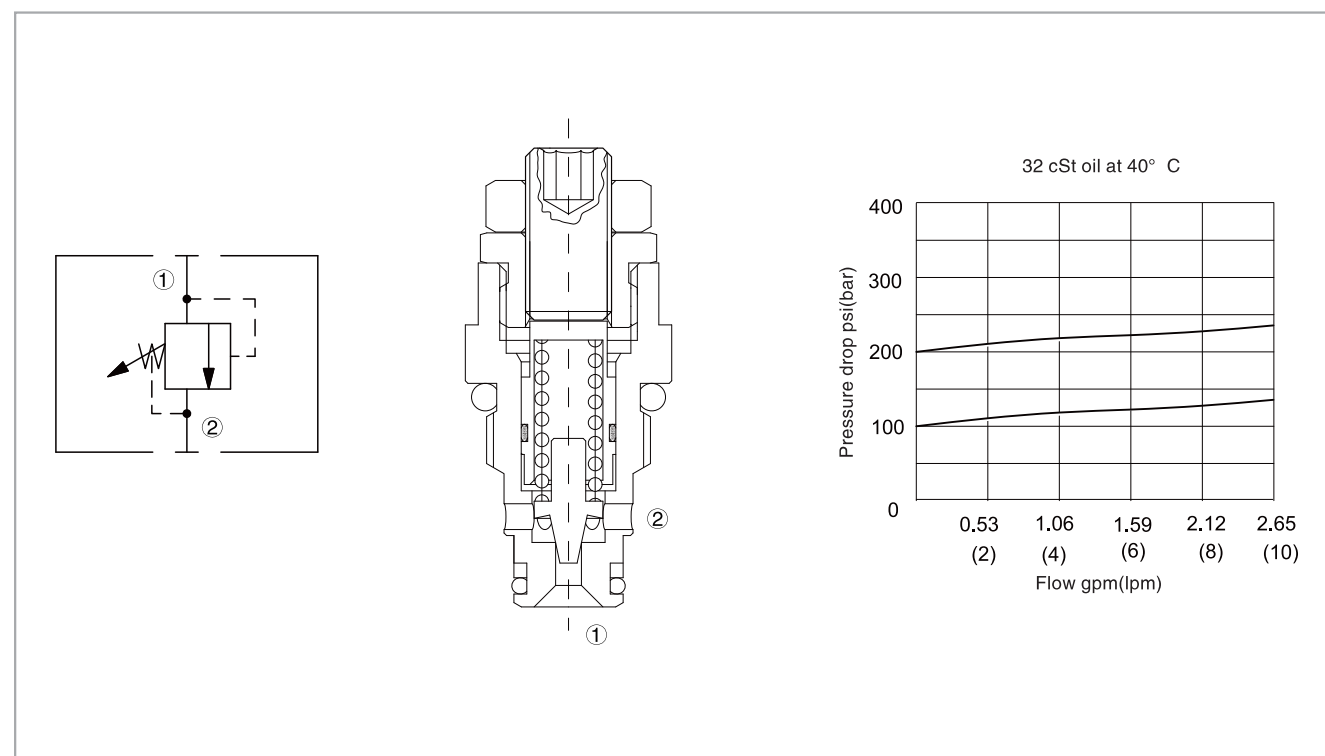
Operation

The valve prevents flow from ① to ② until the set crack pressure at ① is achieved. The poppet then unseats allowing flow from ① to ② protecting the circuit from over pressurization.

Specifications

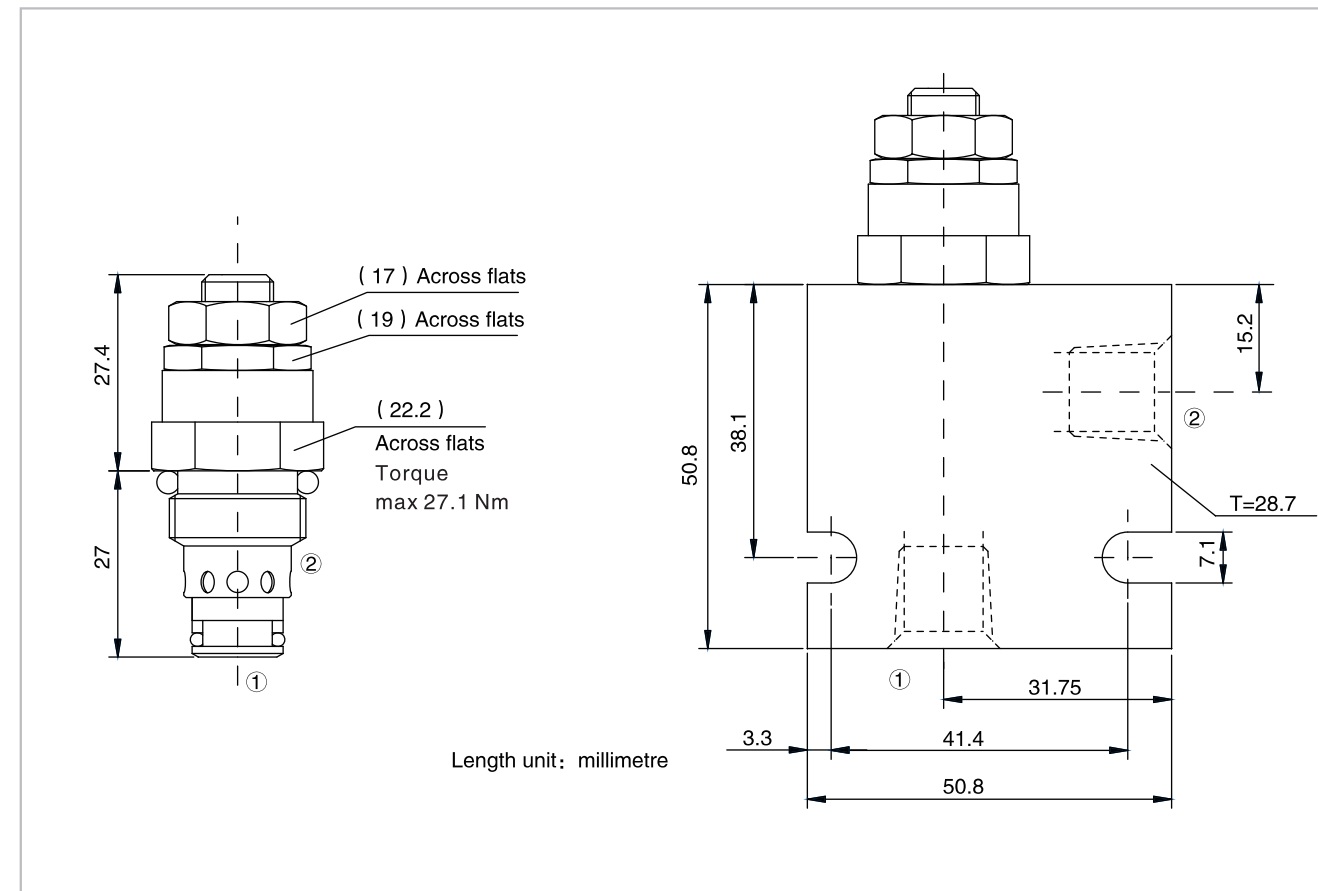
Operating pressure:	250 Bar
Standard spring ranges:	40 To 270 bar
Reseat pressure:	80% Of crack pressure (crack pressure at 0.95 lpm /0.25 gpm)
Flow:	See pressure drop vs.flow graph.
Internal leakage:	5 Drops/min. max. to 80% of nominal setting
Temperature:	(-30°C To +120°C) with NBR material seals
Fluids:	Mineral-based fluids with viscosities of 7.4 to 420 cSt.
Cavity:	HY08-2,see page H.1.2
Body material:	6061-T6 Aluminum alloy rated to 207 bar, steel & ductile iron rated to 350 bar

Code symbol , profile and pressure drop vs.flow



HYRV08 (Cartridge Direct Acting Relief Valve)

External dimensions



Material science and order model

Cartridge: weight: 0.17 kg (0.37 lb);
 Steel, the working face is duratected
 Surface zine-plated;
 NBR material sealing and TEF material
 check ring (standard), high-strength
 performance aluminum knob with
 anodic oxidation
 Block: weight :0.16 kg (0.35 lb);
 High-strength performance
 aluminum alloy with anodic oxidation;
 #6061 T6;
 Rated pressure up to 240 bar (3500 psi);
 See 8.010.1. Also available with ductile cast
 iron and steel material;
 Size might be different, please consult factory.

