

HYDRV08 (Cartridge Direct Acting Differential Area Relief Valve)

Description

A cartridge-style direct-acting differential area poppet-type relief valve.

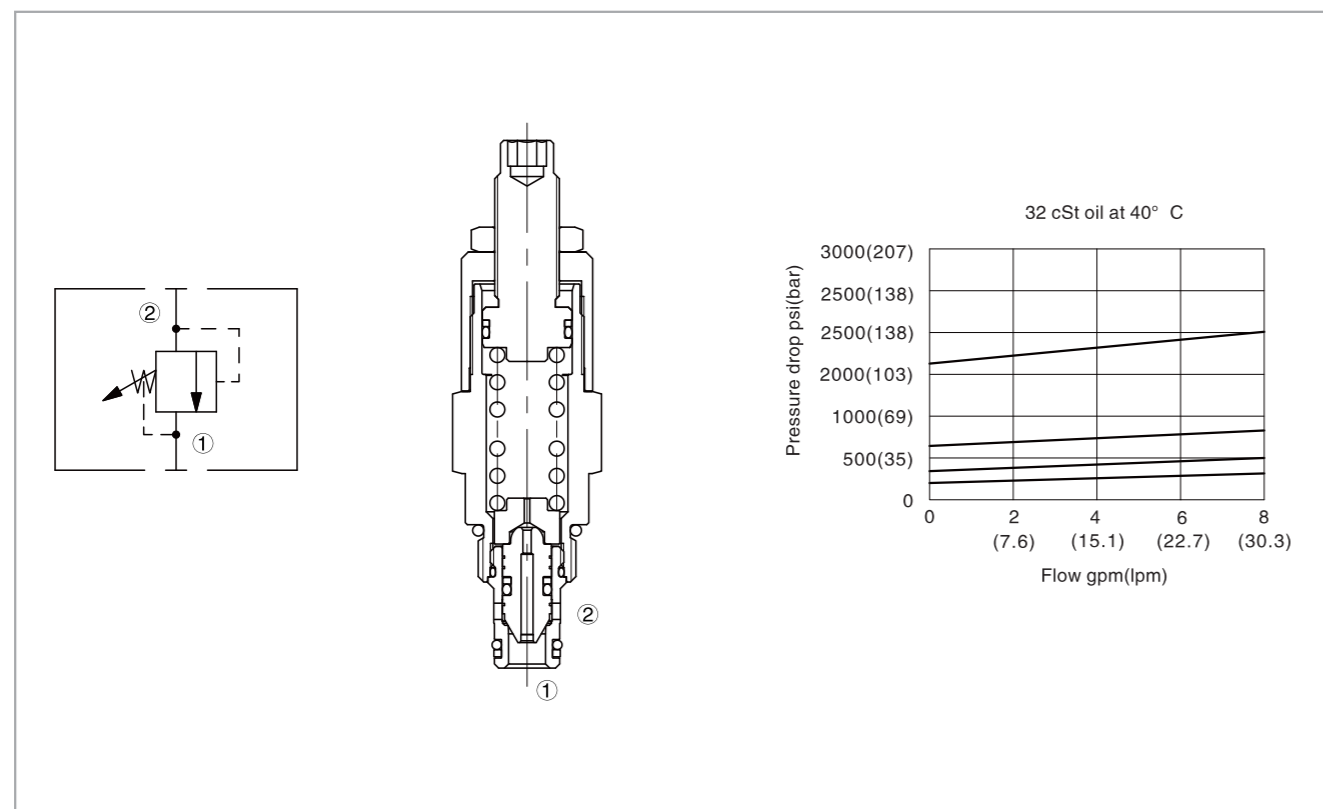
Operation

The valve blocks flow from ② to ① until sufficient pressure is present at ② to force the poppet from its seat.

Specifications

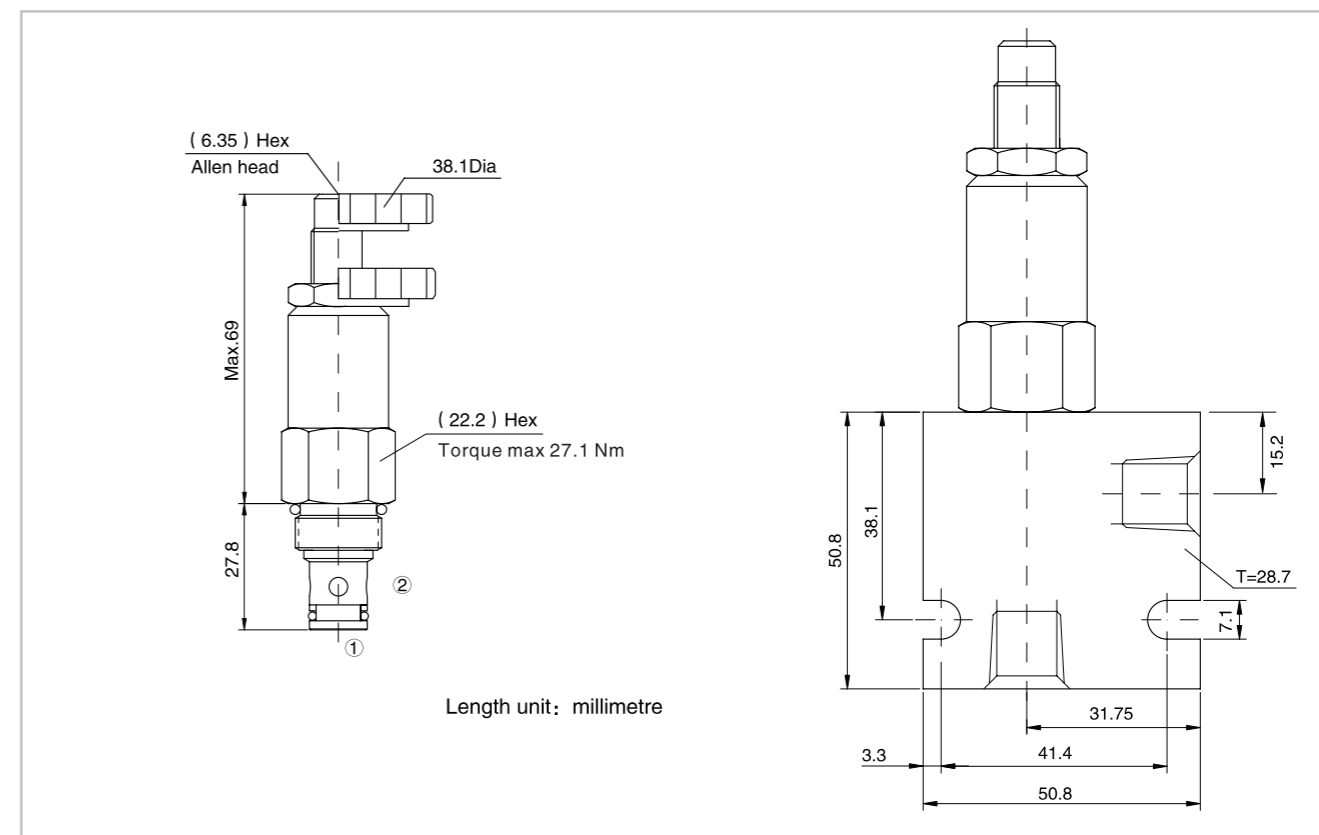
Operating pressure:	250 Bar
Standard spring ranges:	Up to 250 Bar
Reseat pressure:	80% Of crack pressure (crack pressure at 0.95 lpm /0.25 gpm)
Flow:	See pressure drop vs. flow graph
Internal leakage:	5 Drops/min. max. to 80% of nominal setting
Temperature:	(-30°C To +120°C) with NBR material seals
Fluids:	Mineral-based fluids with viscosities of 7.4 to 420 cSt.
Cavity:	HY08-2, see page H.1.2
Body material:	6061-T6 Aluminum alloy rated to 207 bar, steel & ductile iron rated to 350 bar

Code symbol , profile and pressure drop vs. flow



HYDRV08 (Cartridge Direct Acting Differential Area Relief Valve)

External dimensions

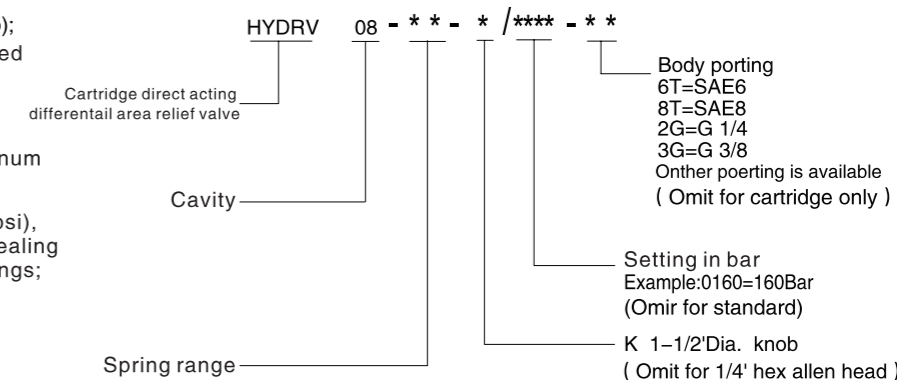


Material science and order model

Cartridge: weight: 0.17 kg (0.37 lb);
Steel, the working face is duratected
Surface zinc-plated;
NBR material sealing and TEF
material check ring (standard),
high-strength performance aluminum
knob with anodic oxidation

Pressure exceeds 240 bar (3500 psi),
recommend using polyurethane sealing
rings and fluororubber retaining rings;
Anodized aluminum alloy handle;

Block: weight :0.16 kg (0.35 lb);
High-strength performance
aluminum alloy with anodic oxidation;
#6061 T6;
Rated pressure up to 240 bar (3500 psi);
See 8.010.1. Also available with ductile
cast iron and steel material;
Size might be different, please consult factory.



4=50-400PSI(3.45-27.59Bar) Preset:200Psi(14Bar)
9=100-900PSI (6.90-62.07Bar) Preset:450Psi(31Bar)
17=100-1700PSI(6.90-117.24Bar) Preset:840Psi(58Bar)
36=250-3600PSI(17.24-250Bar) Preset:1600Psi(110Bar)