

HYRV10-26 (Pilot Operated Relief Valve)

Description

A cartridge-style pilot-operated spool-type relief valve.

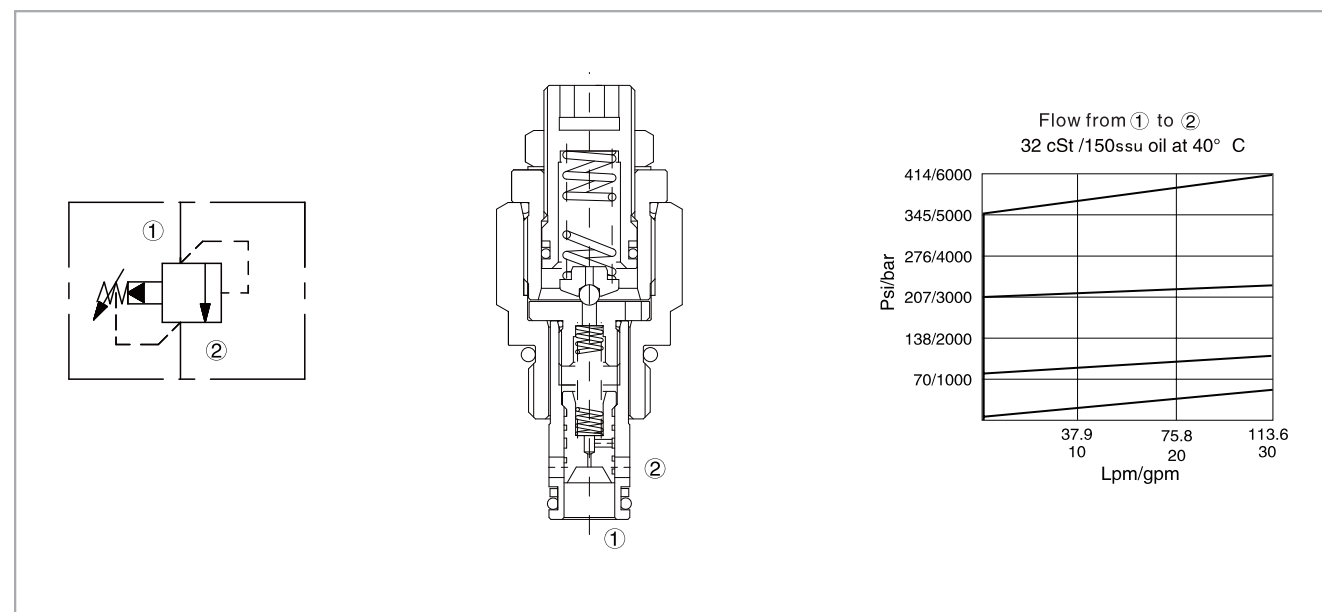
Operation

The valve prevents flow from ① to ② until pressure at ① exceeds the set crack pressure and opens the pilot section. The pilot flow creates a pressure differential across the spool which causes the valve to open allowing flow from ① to ② protecting the circuit from over pressurization. This cartridge relief valve offers a smooth transition in response to a load change in a hydraulic circuit.

Specifications

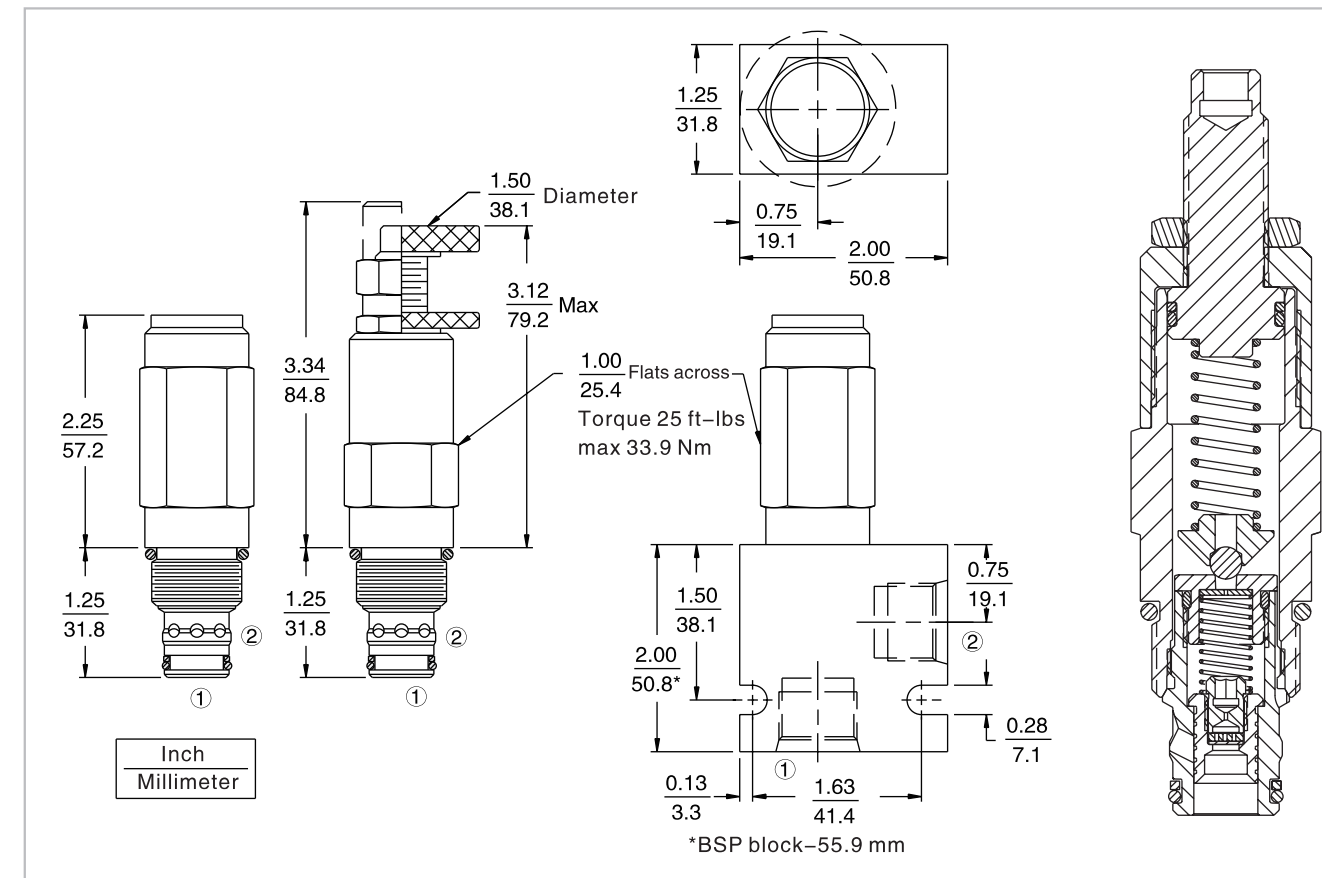
Operating pressure:	240 Bar
Flow:	See pressure drop vs. flow graph
Internal leakage:	115 ml/min. max. to 85% of nominal setting pressure
Reseat pressure:	90% Of crack pressure (crack pressure at 7.6 lpm /2 gpm)
Standard spring ranges:	6.9 Bar to 27.6 bar
	10.3 Bar to 103.4 bar
	27.6 Bar to 206.9 bar
Temperature:	(-40°C To +120°C) with NBR material seals
Fluids:	Mineral-based fluids with viscosities of 7.4 to 420 cSt.
Cavity:	HY10-2, see page H.1.3
Body material:	Steel & ductile iron rated to 350 bar

Code symbol , profile and pressure drop vs. flow



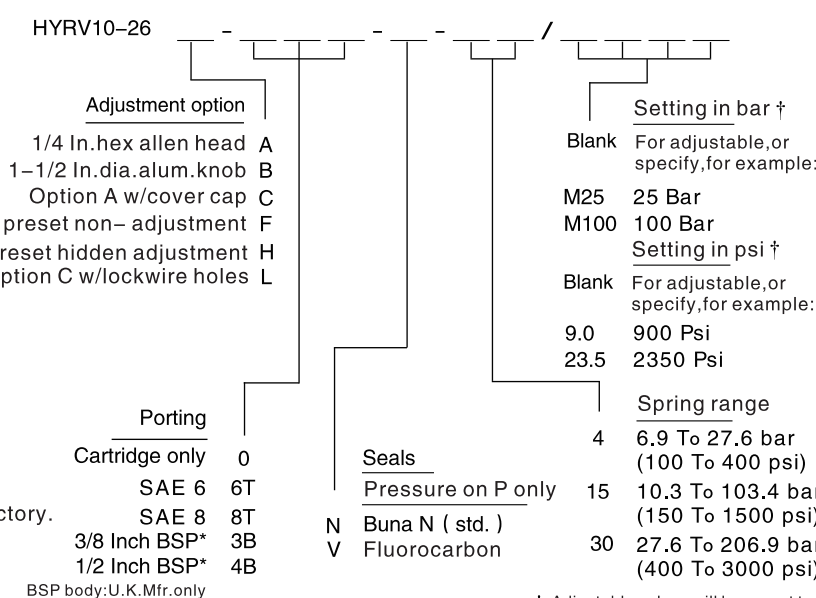
HYRV10-26 (Pilot Operated Relief Valve)

External dimensions



Material science and order model

Cartridge: weight: 0.25 kg (0.55 lb);
Steel, the working face is duratected
Surface zinc-plated;
NBR material sealing and check
ring (standard);
Aluminum knob with anodicoxidation.
Pressure over 240 bar (3500 psi),
recommended use polyurethane
material sealing and
fluorocarbon material
check ring;
Block: weight :0.16 kg (0.35 lb);
High-strength performance
aluminum alloy with anodic
oxidation; #6061 T6;
Rated pressure up to 240 bar (3500 psi);
See 8.010.1. Also available with ductile
cast iron and steel material;
Size might be different, please consult factory.



† Adjustable valves will be preset to approx. 50% of spring max. potential.