

HYRV10-28 (Pilot Operated Relief Valve)

Description

A cartridge-style pilot-operated poppet-type relief valve.

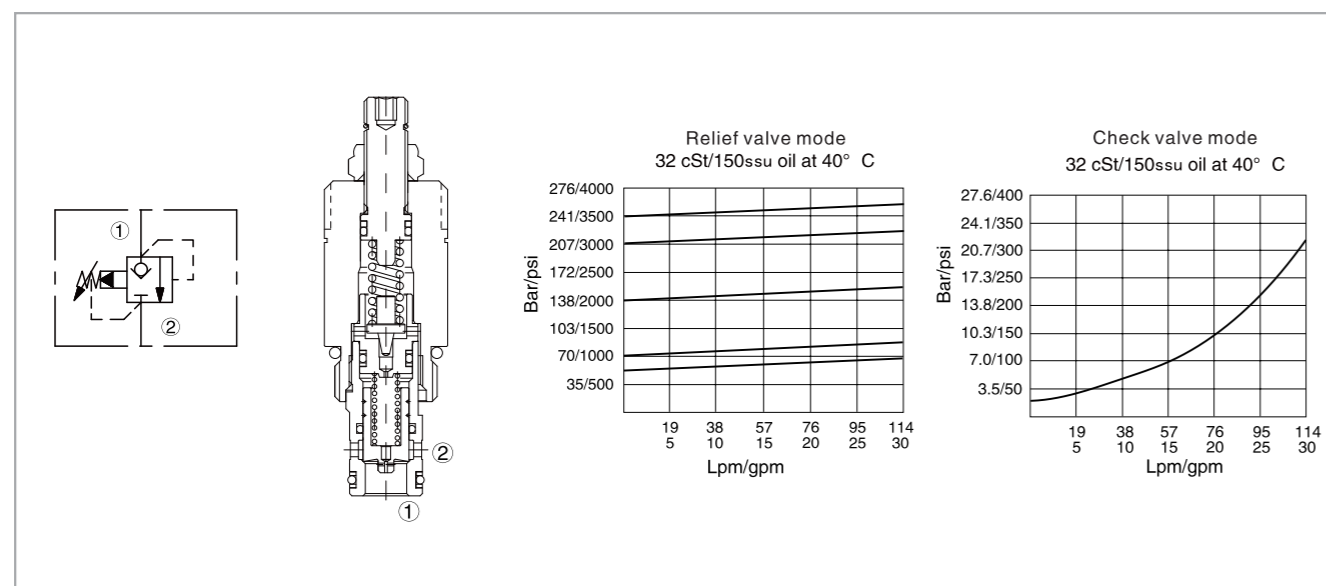
Operation

The valve prevents flow from ① to ② until pressure at ① exceeds the set crack pressure and opens the pilot section. The pilot flow creates a pressure differential across the poppet which causes the valve to open allowing flow from ① to ② protecting the circuit from over pressurization.

Specifications

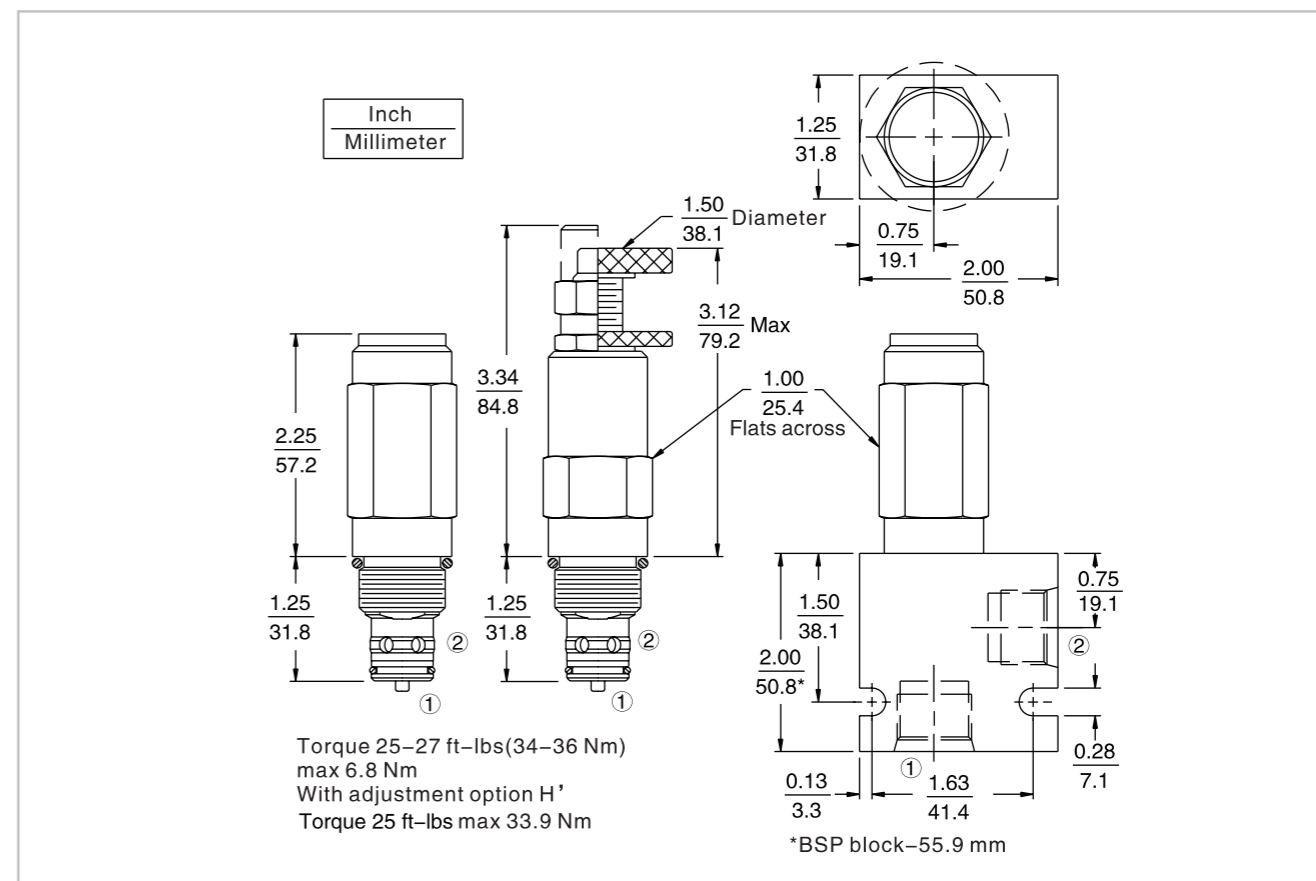
Operating pressure:	240 Bar
Flow:	7.6 ~ 113.6lpm (2 ~ 30 gpm)
Internal leakage:	Max 80% of nominal setting,maximum internal leakage is 0.5 ml/min(10 drops/min)
Reseat pressure:	90% Of crack pressure (crack pressure at 7.6 lpm /2 gpm)
Pressure rise:	At 240Bar (3500psi) : 0.15 Bar/lpm (8 psi/gpm)
Response time:	RV to CV at 250 bar/53 lpm (3500 psi/14 gpm),response is 0.6 seconds.
Opening pressure of check valve:	2.1 Bar (30psi)
Response time of check valve:	CV to RV at 250 bar/53 lpm(3500 psi/14 gpm),response is 0.3 seconds.
Temperature:	(-54°C To +135°C) with NBR material seals
Fluids:	Mineral-based fluids with viscosities of 7.4 to 420 cSt.
Cavity:	HY10-2,see page G.1.3
Body material:	Steel & ductile iron rated to 350 bar

Code symbol , profile and pressure drop vs.flow



HYRV10-28 (Pilot Operated Relief Valve)

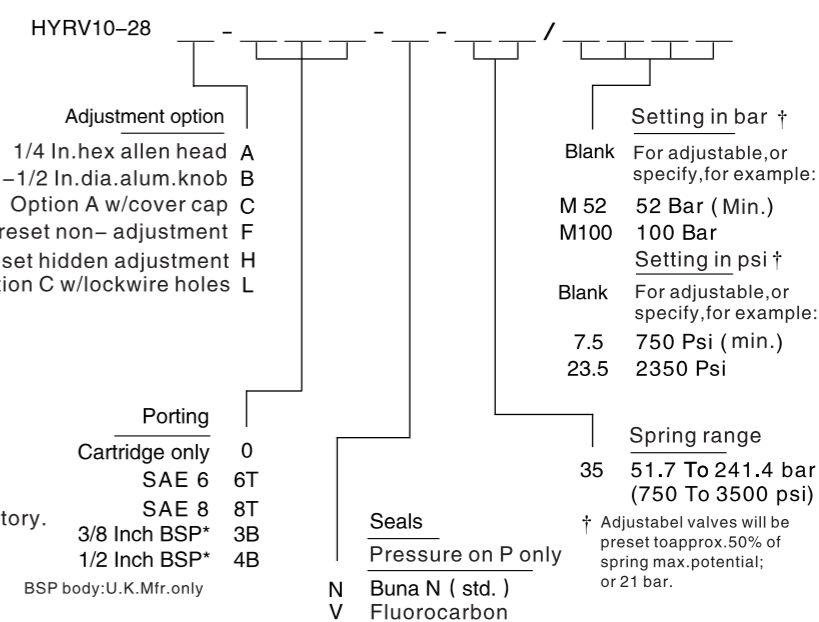
External dimensions



Material science and order model

Cartridge: weight: 0.25 kg (0.55 lb);
 Steel,the working face is duratected
 Surcace zine-plated;
 NBR material sealing and check
 ring (standard);
 Aluminum knob with anodicoxidation.
 Pressure over 240 bar (3500 psi),
 recommended use polyurethane
 material sealing and
 fluorocarbon material
 check ring;

Block:weight :0.16 kg (0.35 lb);
 High-strength performance
 aluminum alloy with anodic
 oxidation;#6061 T6;
 Rated pressure up to 240 bar (3500 psi);
 See 8.010.1.Also available with ductile
 cast iron and steel material;
 Size might be different,please consult factory.



BSP body:U.K.Mfr.only