

# HYRV12-26 (Pilot Operated Relief Valve)

## Description

A cartridge-style pilot-operated spool-type relief valve.

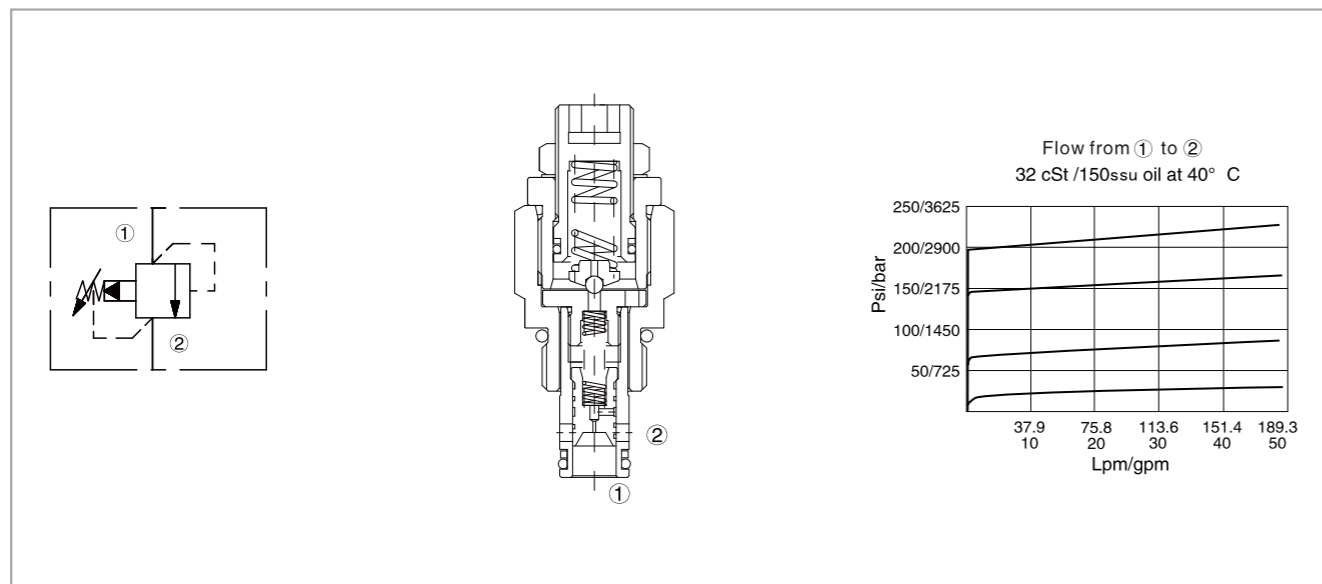
## Operation

The valve prevents flow from ① to ② until pressure at ① exceeds the set crack pressure and opens the pilot section. The pilot flow creates a pressure differential across the spool which causes the valve to open allowing flow from ① to ② protecting the circuit from over pressurization. This cartridge relief valve offers a smooth transition in response to a load change in a hydraulic circuit.

## Specifications

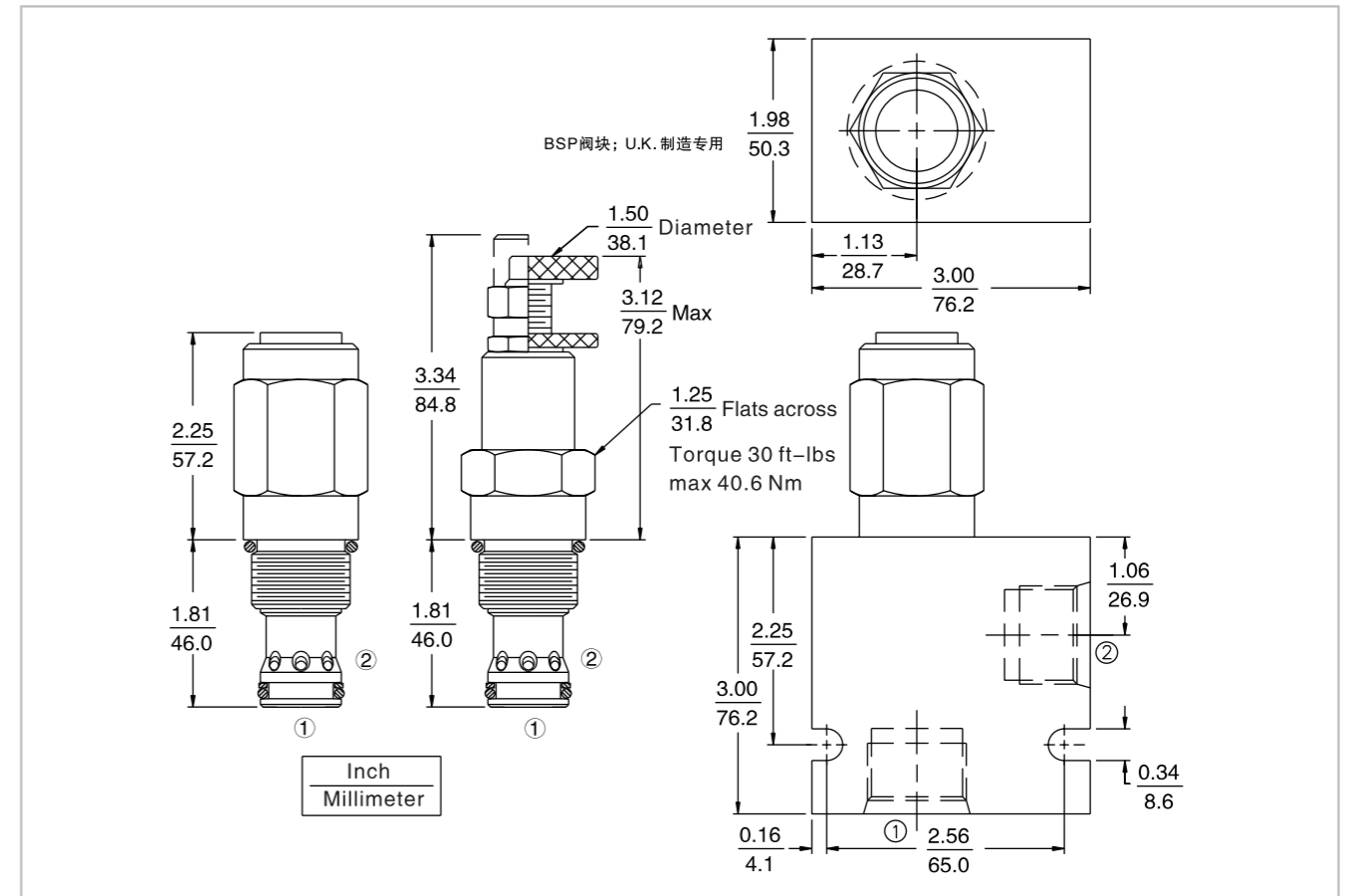
Operating pressure:	240 Bar
Flow:	See pressure drop vs. flow graph
Internal leakage:	115 ml/min. max. to 85% of nominal setting pressure
Reseat pressure:	90% Of crack pressure (crack pressure at 7.6 lpm /2 gpm)
Standard spring ranges:	6.9 Bar to 27.6 bar
	10.3 Bar to 103.4 bar
	20.7 Bar to 241 bar
Temperature:	(-40°C To +120°C) with NBR material seals
Fluids:	Mineral-based fluids with viscosities of 7.4 to 420 cSt.
Cavity:	HY12-2, see page H.1.5
Body material:	Steel & ductile iron rated to 350 bar

## Code symbol , profile and pressure drop vs. flow



# HYRV12-26 (Pilot Operated Relief Valve)

## External dimensions



## Material science and order model

Cartridge: weight: 0.34 kg ( 0.75 lb); Steel, the working face is duratected Surface zine-plated; NBR material sealing and check ring (standard); Aluminum knob with anodic oxidation.

Block: weight :0.57 kg (1.25 lbs); High-strength performance aluminum alloy with anodic oxidation; #6061 T6; Rated pressure up to 240 bar (3500 psi); See 8.012.1. Also available with ductile cast iron and steel material; Size might be different, please consult factory.

HYRV12-26

Adjustment option	Setting in bar †
1/4 In. hex allen head A	Blank For adjustable, or specify, for example:
1-1/2 In. dia. alum. knob B	M25 25 Bar
Option A w/cover cap C	M100 100 Bar
Factory preset non-adjustment F	Blank For adjustable, or specify, for example:
Factory preset hidden adjustment H	9.0 900 Psi
Option C w/lockwire holes L	23.5 2350 Psi

Porting	Seals	Spring range
Cartridge only 0	Pressure on P only	4 6.9 to 27.6 bar (100 To 400 psi)
SAE 10 10T	N Buna N ( std. )	15 10.3 To 103.4 bar (150 To 1500 psi)
SAE 12 12T	V Fluorocarbon	35 20.7 To 241 bar (300 To 3500 psi)
SAE 16 16T		
1/2 Inch BSP* 4B		
3/4 Inch BSP* 6B		
1 Inch BSP* 8B		

BSP body: U.K. Mfr. only

† Adjustable valves will be preset to approx. 50% of spring max. potential.