

HYPR08-32 (Pressure Reducing/Relieving Cartridge Valve)

Description

A cartridge-style direct-acting spool-type pressure reducing/relieving valve.

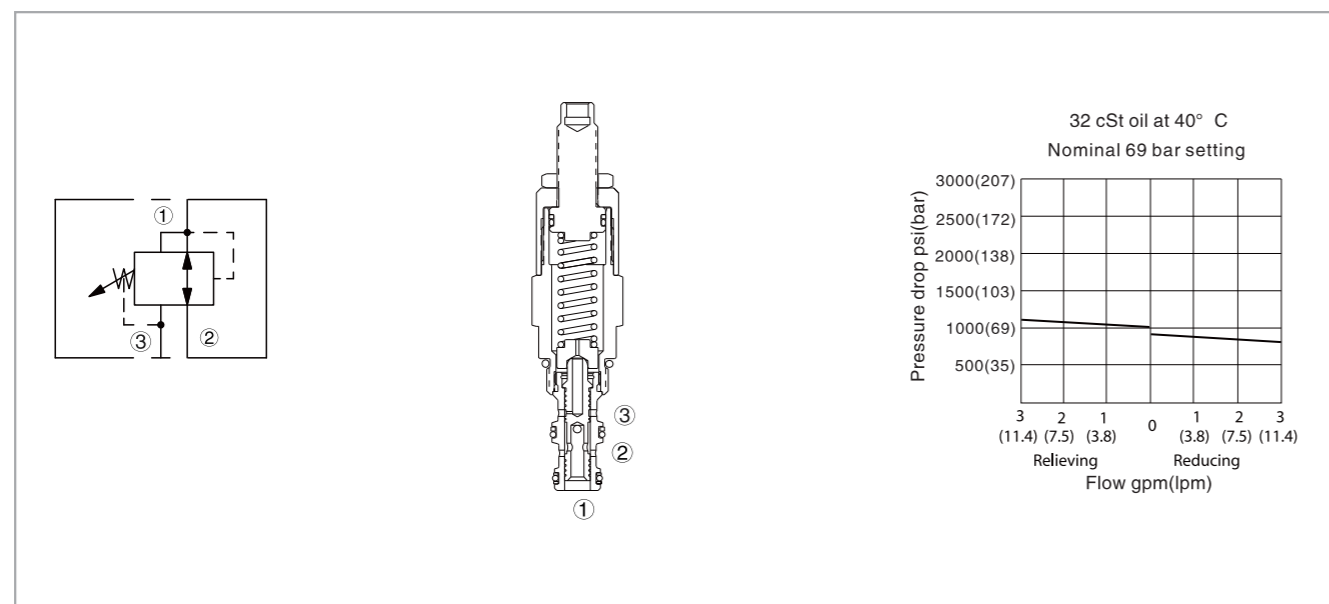
Operation

In its steady state, the valve allows flow to pass bi-directionally from ② to ①, with the spring chamber constantly drained at ③. On attainment of a pre-determined pressure at ①, the cartridge shifts to restrict input flow at ②, thereby regulating pressure at ①. In this mode, the valve will also relieve ① to ③ at approximately 10 bar over the reducing setting.

Specifications

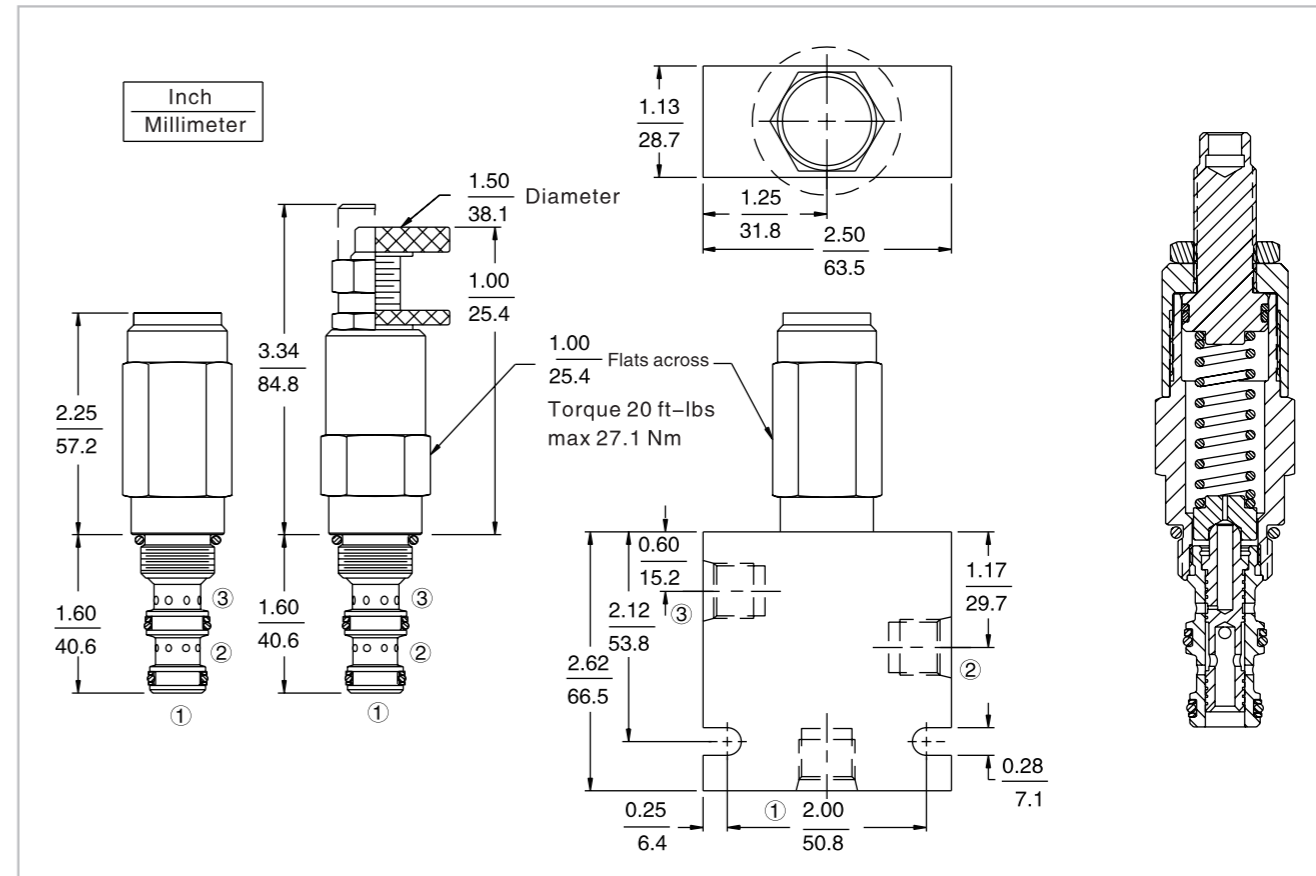
Operating pressure:	240 Bar
Flow:	Max.11.4 lpm (3 gpm)
Internal leakage:	From ② to ③ (internal leakage ② to ③) 82 cc/min. max. at ΔP 207 bar
Standard spring ranges:	3.4 to 20.7 bar, preset :10.3 bar
	6.9 To 41.4 bar, preset :20.7 bar
	20.7 To 82.8 bar, preset :41.4 bar
	34.5 To 152 bar, preset : 76 bar
Temperature:	(-40°C To +120°C) with NBR material seals
Fluids:	Mineral-based fluids with viscosities of 7.4 to 420 cSt.
Cavity:	HY08-3,see page H.1.2
Body material:	6061-T6 Aluminum alloy rated to 207 bar, steel & ductile iron rated to 350 bar

Code symbol , profile and pressure drop vs.flow



HYPR08-32 (Pressure Reducing/Relieving Cartridge Valve)

External dimensions



Material science and order model

Cartridge: weight: 0.25 kg (0.55 lb);
Steel, the working face is duratected
Surface zinc-plated;
NBR material sealing and check
ring (standard);
Aluminum knob with anodicoxidation.

Block:weight :0.27 kg (0.60 lb);
High-strength performance
aluminum alloy with anodic
oxidation;#6061 T6;
Rated pressure up to 240 bar (3500 psi);
Also available with ductile cast iron and
steel material;
Size might be different,please consult factory.

HYPR08-32		Setting in bar †	
Adjustment option		Blank	For adjustable, or specify, for example:
1/4 In. hex allen head	A	M25	25 Bar
1-1/2 In. dia. alum. knob	B	M100	100 Bar
Option A w/cover cap	C	Setting in psi †	
Factory preset non- adjustment	F	Blank	For adjustable, or specify, for example:
Factory preset hidden adjustment	H	9.0	900 Psi
Option C w/lockwire holes	L	21.0	2100 Psi
Porting		Spring range	
Cartridge only	0	3	3.4 To 20.7 bar (50 To 300 psi)
SAE 4	4T	6	6.9 To 41.4 bar (100 To 600 psi)
SAE 6	6T	12	20.7 To 82.8 bar (300 To 1200 psi)
1/4 Inch BSP*	2B	22	34.5 To 151.7 bar (500 To 2200 psi)
3/8 Inch BSP*	3B	Seals	
		Buna N (std.)	N
		Fluorocarbon	V

† Adjustable valves will be preset to approx.50% of spring max.potential.