

HYPR10-36 (Pressure Reducing/Relieving Cartridge Valve)

Description

A cartridge-style pilot-operated pressure reducing/relieving valve.

Operation

In its steady state, the valve allows flow to pass bi-directionally from ② to ①, with the spring chamber constantly drained at ③. On attainment of a pre-determined pressure at ①, the cartridge shifts to restrict input flow at ②, thereby regulating pressure at ①.

In this mode, the valve will also relieve ① to ③.

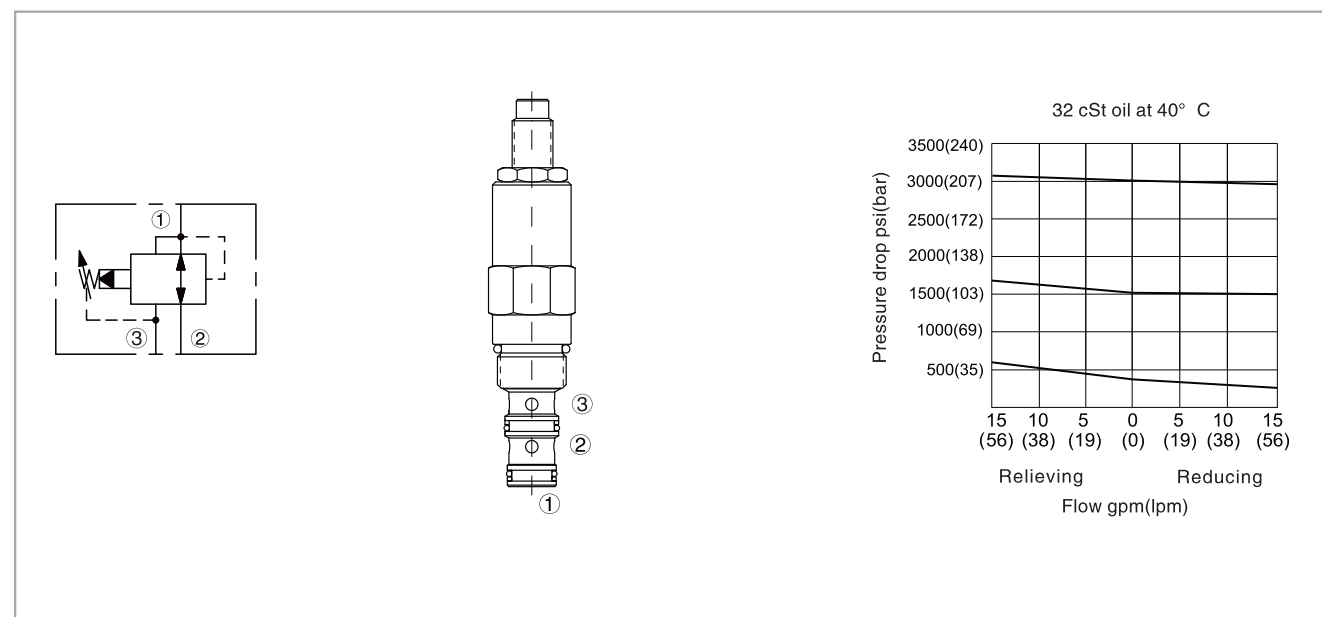
Dead band (from reducing to relieving) pressure rise over reduced pressure setting:

Non-flow condition: approximately 0.55 bar (8 psi); with flow: approximately 2.1 bar(30psi).

Specifications

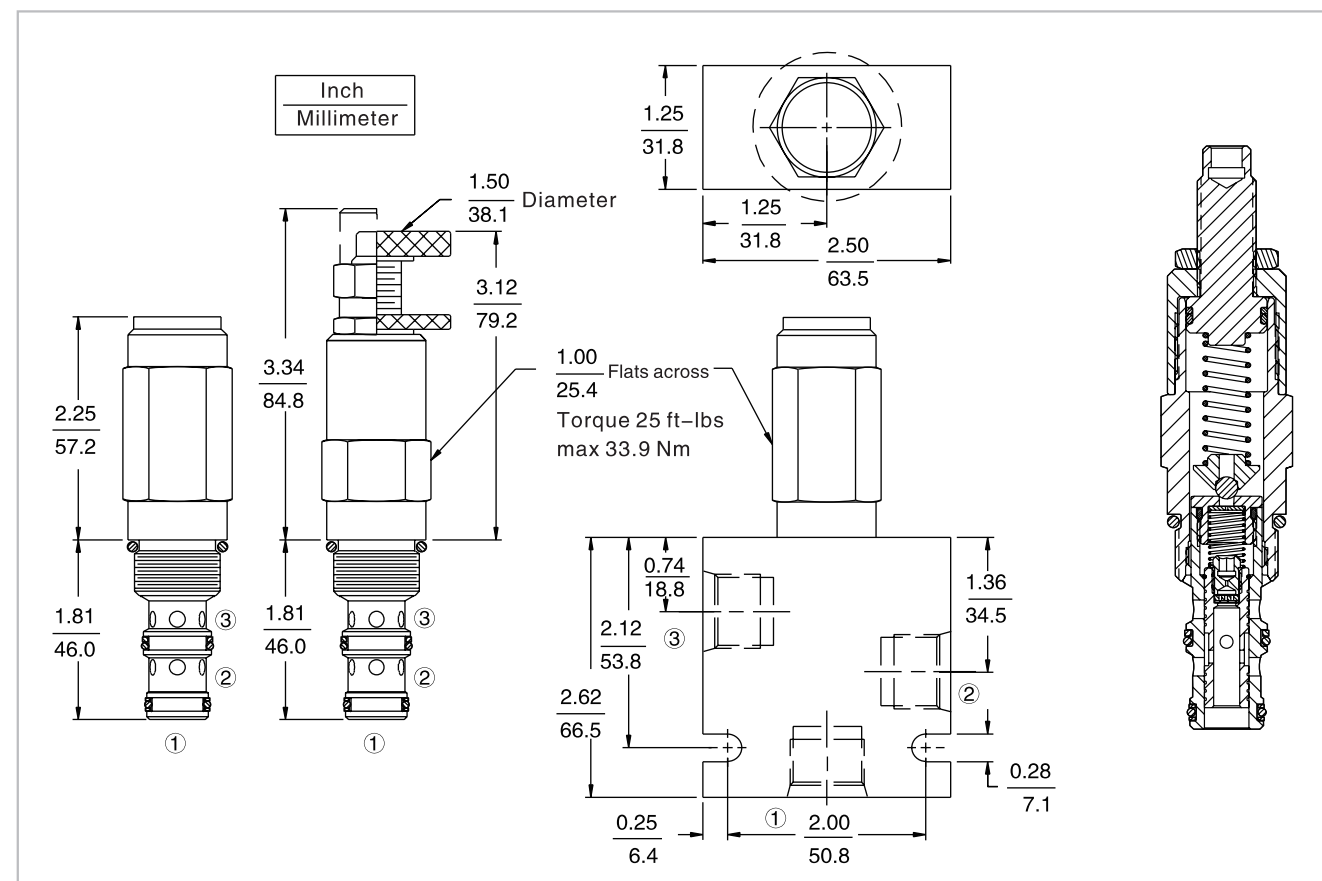
Operating pressure:	207 Bar
Flow:	See performance chart
Standard spring ranges:	6.9 To 27.6 bar, preset:13.8 bar
	10.3 To 103 bar, preset :56 bar
	27.6 To 207 bar, preset :103 bar
Temperature:	(-40°C To +120°C) with NBR material seals
Fluids:	Mineral-based fluids with viscosities of 7.4 to 420 cSt.
Cavity:	HY10-3,see page H.1.4
Body material:	6061-T6 Aluminum alloy rated to 207 bar, steel & ductile iron rated to 350 bar

Code symbol , profile and pressure drop vs.flow



HYPR10-36 (Pressure Reducing/Relieving Cartridge Valve)

External dimensions



Material science and order model

Cartridge: weight: 0.27 kg (0.60 lb);
Steel, the working face is duratected
Surface zinc-plated;
NBR material sealing and check
ring (standard);
Aluminum knob with anodicoxidation
and cover cap.

Block:weight :0.36 kg (0.80 lb);
High-strength performance
aluminum alloy with anodic
oxidation;#6061 T6;
Rated pressure up to 240 bar (3500 psi);
Also available with ductile cast iron and
steel material;
Size might be different,please consult factory.

