

HYP08-30 (Sequence Valve)

Description

A cartridge-style spool-type sequence valve with internal pilot and drain.

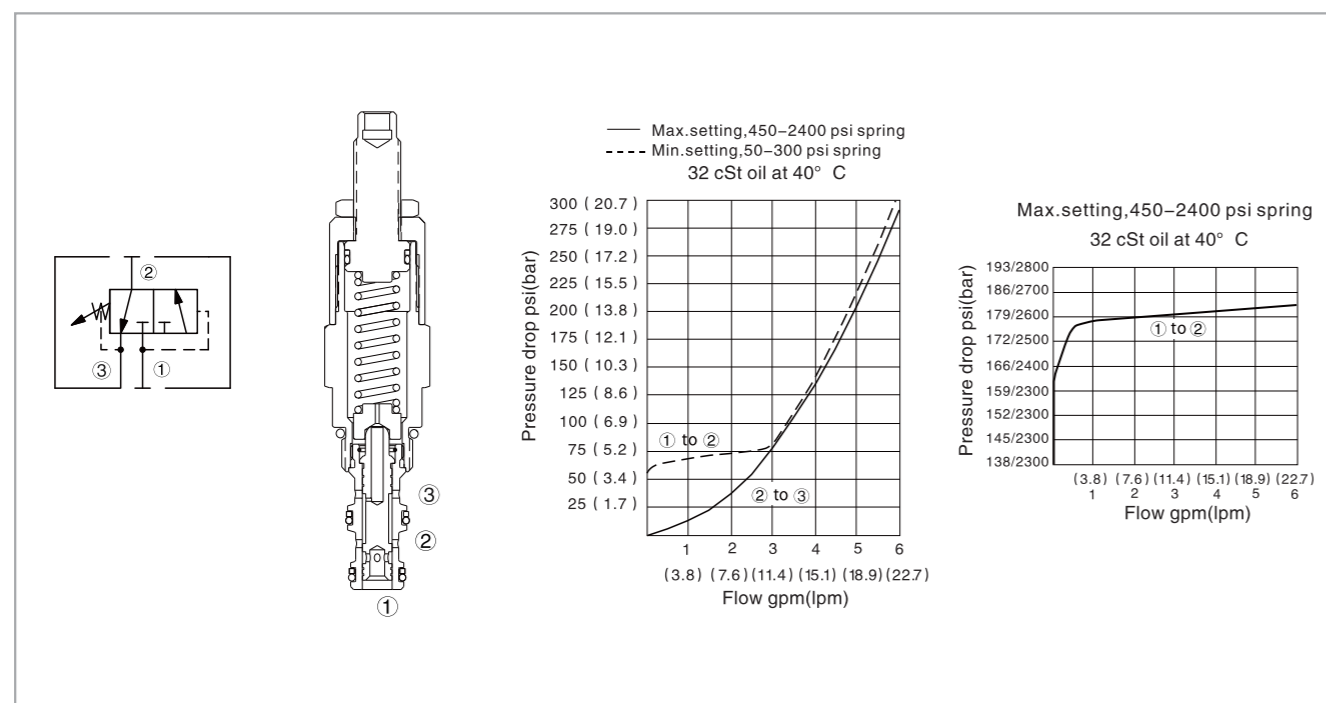
Operation

In its steady state, the valve blocks flow at ①, while allowing flow to pass from ② to ③. On attainment of a pre-determined pressure at ①, the cartridge shifts to open ① to ②.

Specifications

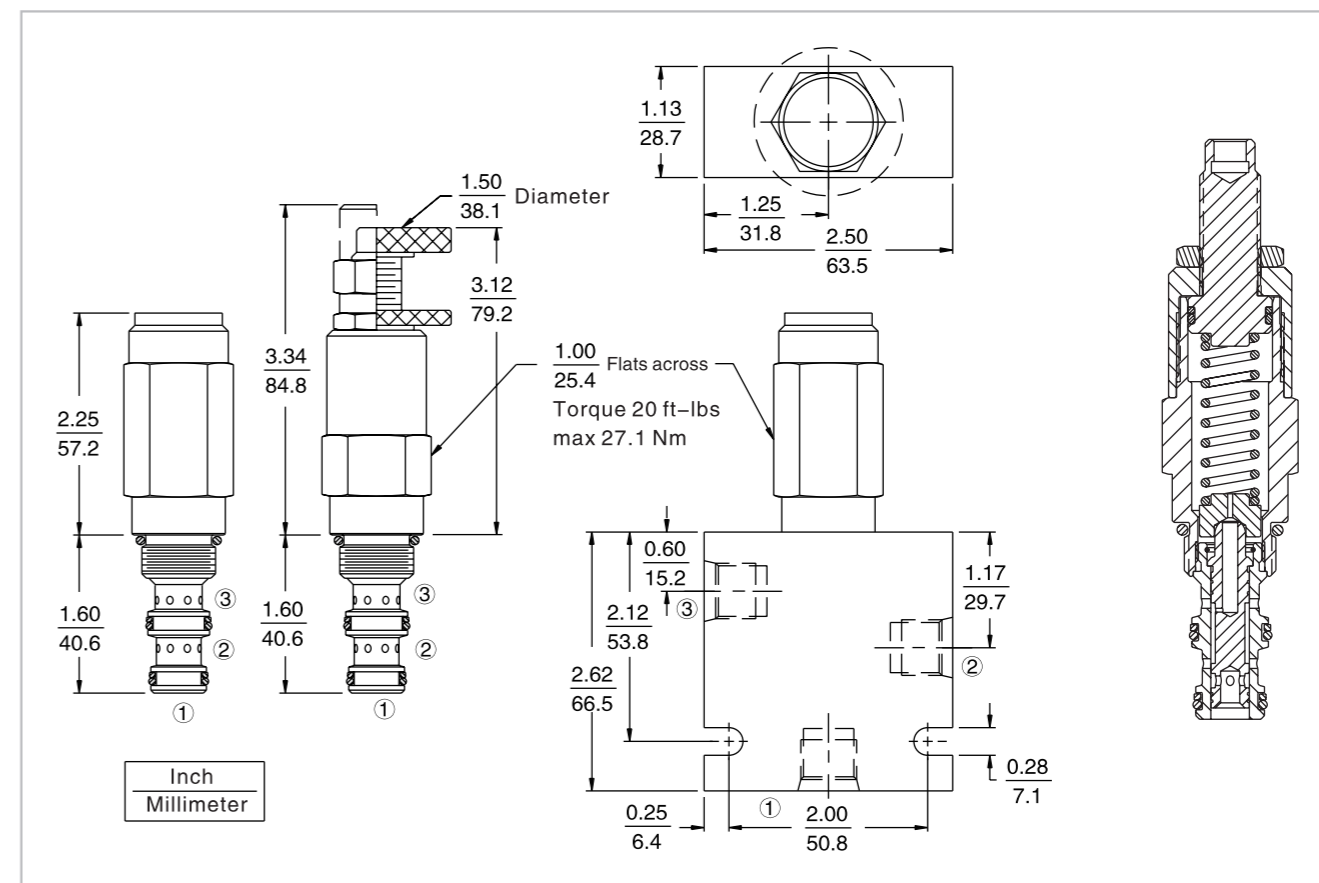
Operating pressure:	240 Bar
Flow:	See pressure drop vs. flow graph
Internal leakage:	82 cc/min. max. to 90% of nominal setting
Standard spring ranges:	3.4 To 20.7 bar, preset :10 bar
	6.9 To 41.4 bar, preset :21 bar
	10.3 To 89.7 bar, preset :45 bar
	31.0 To 165.5 bar, preset :83 bar
Temperature:	(-40°C To +120°C) with NBR material seals
Fluids:	Mineral-based fluids with viscosities of 7.4 to 420 cSt.
Cavity:	HY08-3, see page H.1.2
Body material:	6061-T6 Aluminum alloy rated to 207 bar, steel & ductile iron rated to 350 bar

Code symbol , profile and pressure drop vs. flow



HYP08-30 (Sequence Valve)

External dimensions



Material science and order model

Cartridge: weight: 0.25 kg (0.55 lb); Steel, the working face is duratected Surface zinc-plated; NBR material sealing and check ring (standard); Aluminum knob with anodicoxidation.

Block: weight :0.27 kg (0.60 lb); High-strength performance aluminum alloy with anodic oxidation; #6061 T6; Rated pressure up to 240 bar (3500 psi); Also available with ductile cast iron and steel material; Size might be different, please consult factory.

HYP08-30 - - - - /

Adjustment option	Setting in bar †
1/4 In. hex allen head A	Blank For adjustable, or specify, for example:
1-1/2 In. dia. alum. knob B	M25 25 Bar
Option A w/cover cap C	M100 100 Bar
Factory preset non-adjustment F	Setting in psi †
Factory preset hidden adjustment H	Blank For adjustable, or specify, for example:
Option C w/lockwire holes L	9.0 900 Psi
	23.5 2350 Psi
Porting	Spring range
Cartridge only 0	3 3.4 To 20.7 bar (50 To 300 psi)
SAE 4 4T	6 6.9 To 41.4 bar (100 To 600 psi)
SAE 6 6T	13 10.3 To 89.7 bar (150 To 1300 psi)
3/8 Inch BSP* 3B	24 31.0 To 165.5 bar (450 To 2400 psi)
BSP body: U.K. Mfr. only	
Seals	
Buna N (std.) N	
Fluorocarbon V	

† Adjustable valves will be preset to approx. 50% of spring max. potential.