

HYPS10-32 (Sequence Valve)

Description

A cartridge-style spool-type sequence valve with external pilot and internal spring chamber drain.

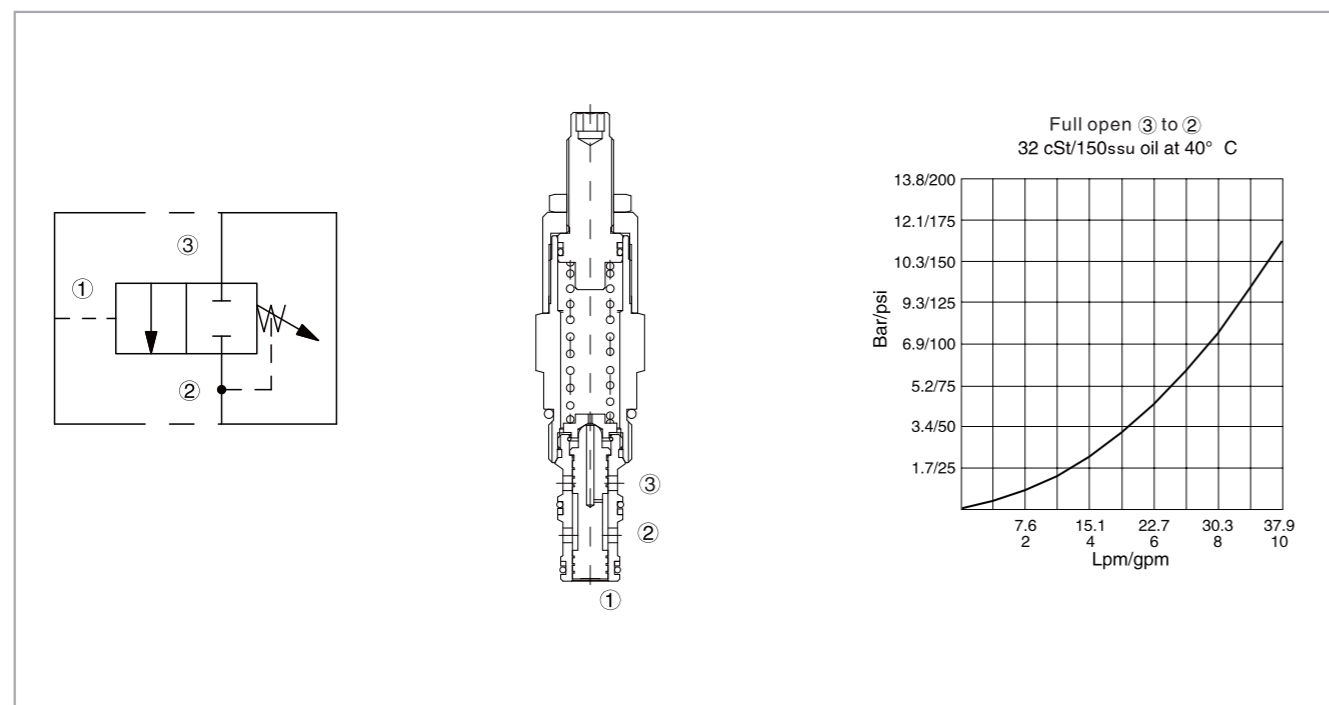
Operation

In its steady state, the valve blocks flow from ③ to ②. On attainment of a pre-determined pressure at ①, the cartridge shifts to open ③ to ②. Since the spring chamber is vented at ②, back pressure at ② will directly (1:1) affect the valve's setting.

Specifications

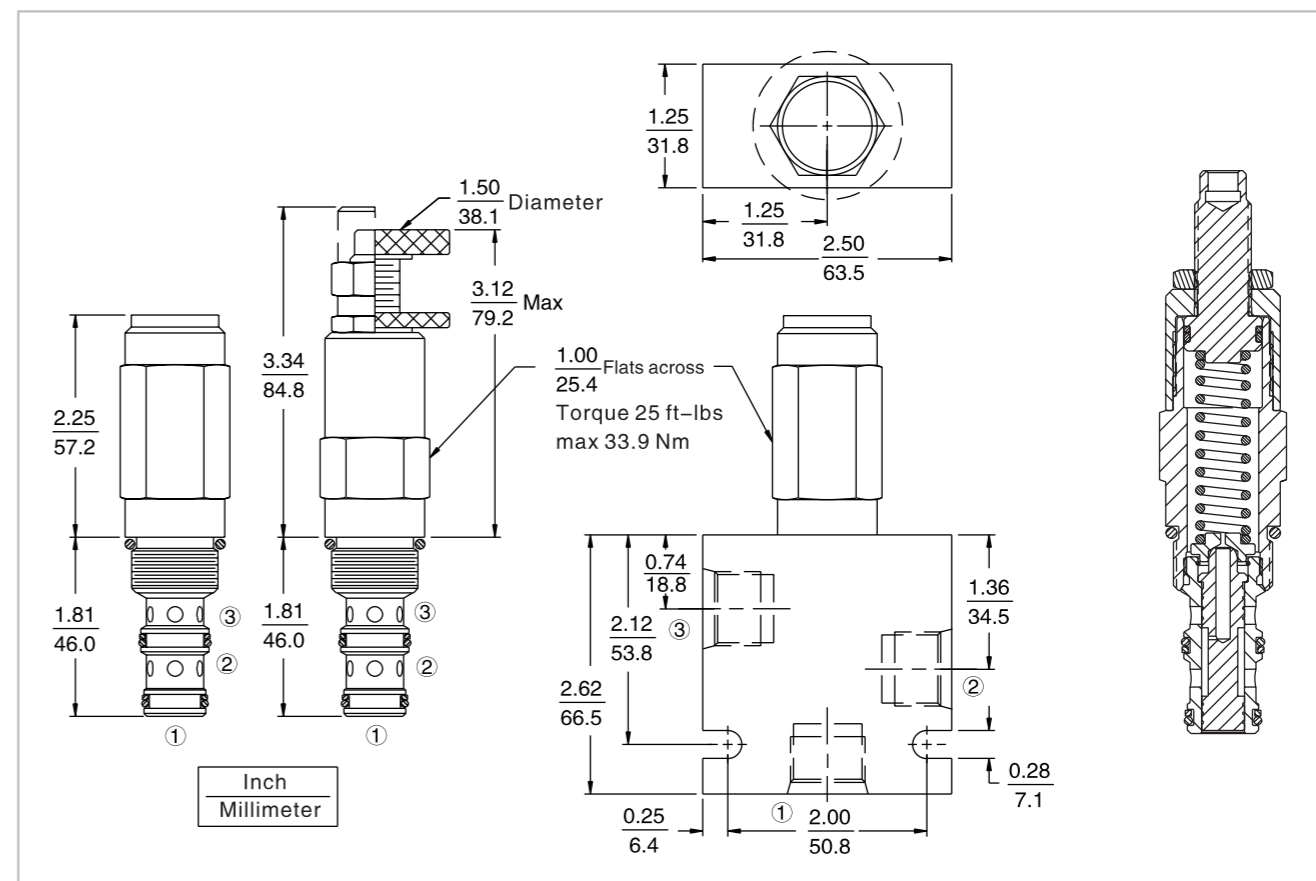
Operating pressure:	207 Bar
Flow:	See pressure drop vs. flow graph
Internal leakage:	82 cc/min. max. to 90% of nominal setting
Standard spring ranges:	5.5 To 27.6 bar, preset :13.8 bar
	13.8 To 55.2 bar, preset :27.6 bar
	20.7 To 103.4 bar, preset :51.5 bar
	27.6 To 114.8 bar, preset :72.5 bar
Temperature:	(-40°C To +120°C) with NBR material seals
Fluids:	Mineral-based fluids with viscosities of 7.4 to 420 cSt.
Cavity:	HY10-3, see page H.1.5
Body material:	6061-T6 Aluminum alloy rated to 207 bar, steel & ductile iron rated to 350 bar

Code symbol , profile and pressure drop vs. flow



HYPS10-32 (Sequence Valve)

External dimensions



Material science and order model

Cartridge: weight: 0.27 kg (0.60 lb);
Steel, the working face is duratected
Surface zinc-plated;
NBR material sealing and check
ring (standard);
Aluminum knob with anodicoxidation
and cover cap.

Block: weight :0.36 kg (0.80 lb);
High-strength performance
aluminum alloy with anodic
oxidation; #6061 T6;
Rated pressure up to 240 bar (3500 psi);
See 8.008.1. Also available with ductile
cast iron and steel material;
Size might be different, please consult factory.

HYPS10-32

Adjustment option	Porting	Seals	Setting in bar †
1/4 In. hex allen head	Cartridge only 0	Buna N (std.) N	Blank For adjustable, or specify, for example:
1-1/2 In. dia. alum. knob	SAE 6 6T	Fluorocarbon V	M25 25 Bar
Option A w/cover cap	SAE 8 8T		M100 100 Bar
Factory preset non-adjustment	1/4 Inch BSP* 2B		Blank For adjustable, or specify, for example:
Factory preset hidden adjustment	3/8 Inch BSP* 3B		9.0 900 Psi
(See 6.003.1)			21.0 2100 Psi
Option C w/lockwire holes			Spring range
			4 5.5 To 27.6 bar (80 To 400 psi)
			8 13.8 To 55.2 bar (200 To 800 psi)
			15 20.7 To 103.4 bar (300 To 1500 psi)
			21 27.6 To 144.8 bar (400 To 2100 psi)

BSP body: U.K. Mfr. only

† Adjustable valves will be preset to approx. 50% of spring max. potential.