

HYNV-08 (Needle Valve)

Description

A cartridge-style manually-adjustable needle valve.

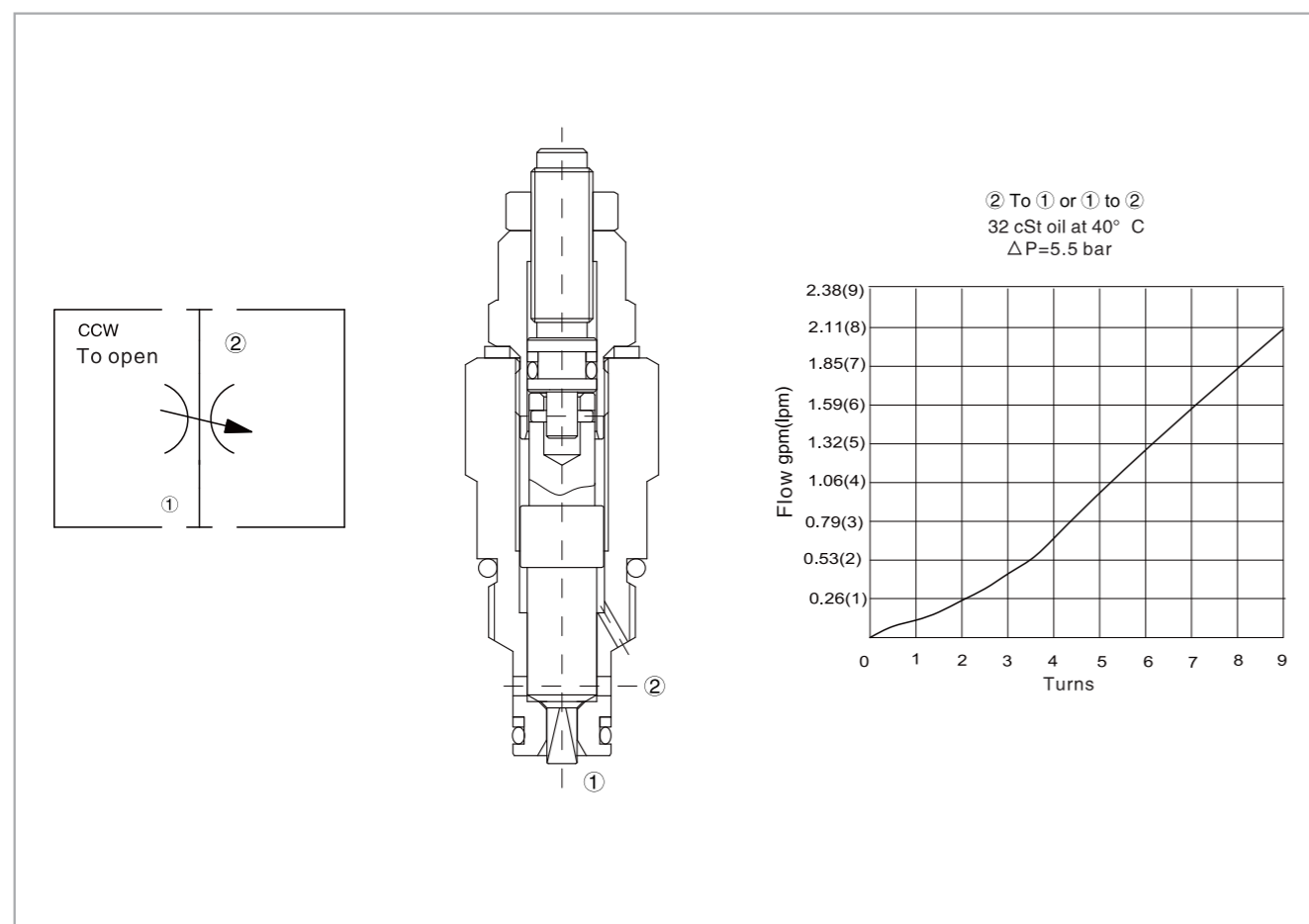
Operation

The valve varies flow restriction by adjusting needle in or out and will shut off when fully closed. These valves will meter flow in either direction.

Specifications

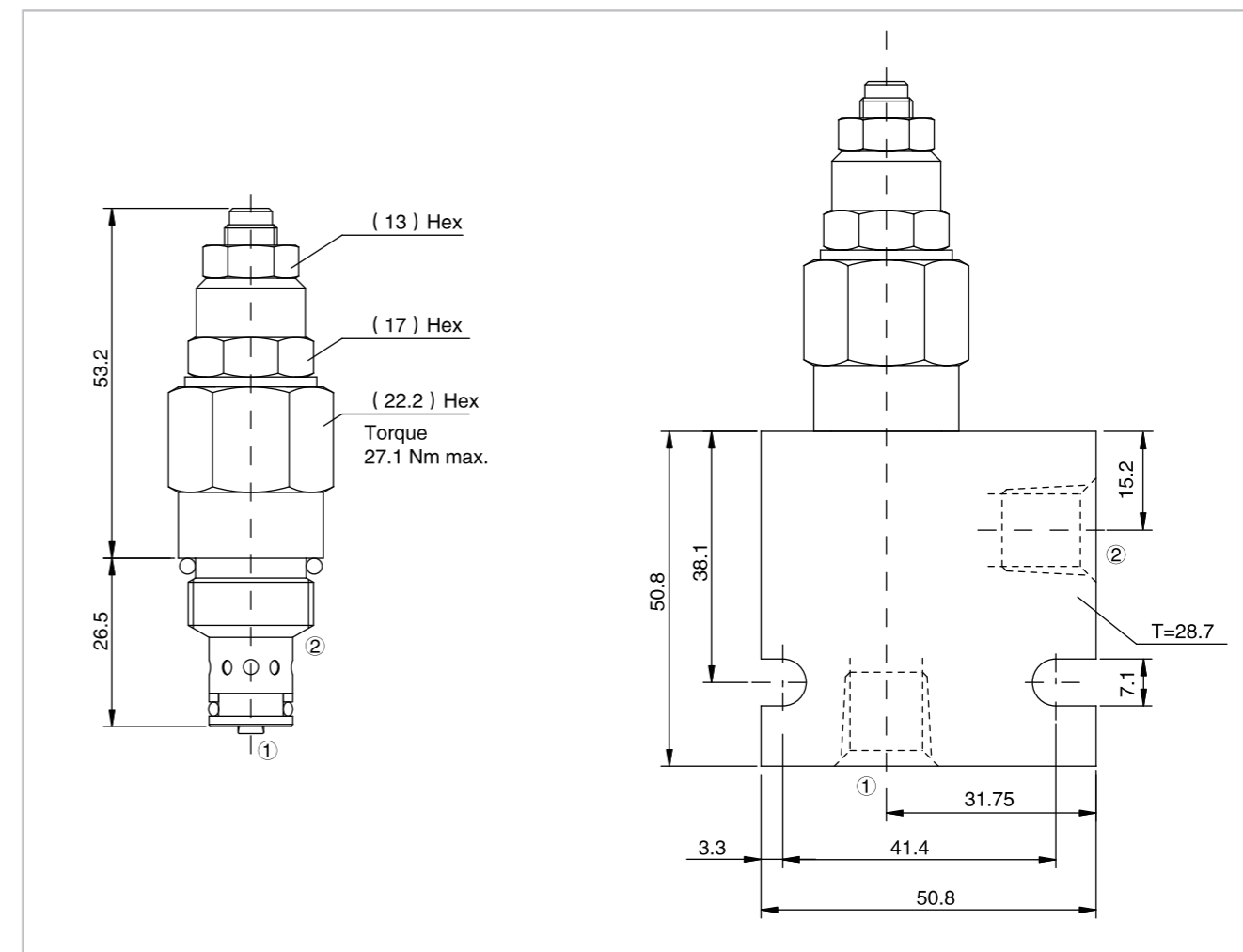
Operating pressure:	250 Bar
Flow:	See pressure drop vs. flow graph
Internal leakage:	3 Drops/min. max. at 250 bar
Temperature:	(-30°C To +120°C) with NBR material seals
Fluids:	Mineral-based fluids with viscosities of 7.4 to 420 cSt.
Cavity:	HY08-2, see page H.1.2
Body material:	6061-T6 Aluminum alloy rated to 207 bar, steel & ductile iron rated to 350 bar

Code symbol , profile and pressure drop vs. flow



HYNV-08(Needle Valve)

External dimensions



Material science and order model

Cartridge: weight: 0.1 kg (0.23 lb);
Steel, the working face is duratected
Surface zinc-plated;
NBR material sealing and
check ring (standard).

Block: weight :0.16 kg (0.35 lb);
High-strength performance aluminum
alloy with anodic oxidation;
#6061 T6;
Rated pressure up to 240 bar (3500 psi);
The pressure of ductile iron (8TD) and steel (8TS)
valve blocks can reach 350 bar (5000 psi);
Size might be different, please consult factory.

HYNV-08

Porting	
Cartridge only	(Blank)
SAE 4	4T
SAE 6	6T
G1/4	2G
G3/8	3G