

# HYFC08-20 (Flow Control Valve With Reverse Flow Check)

### Description

A cartridge-style adjustable flow control valve with reverse flow check.

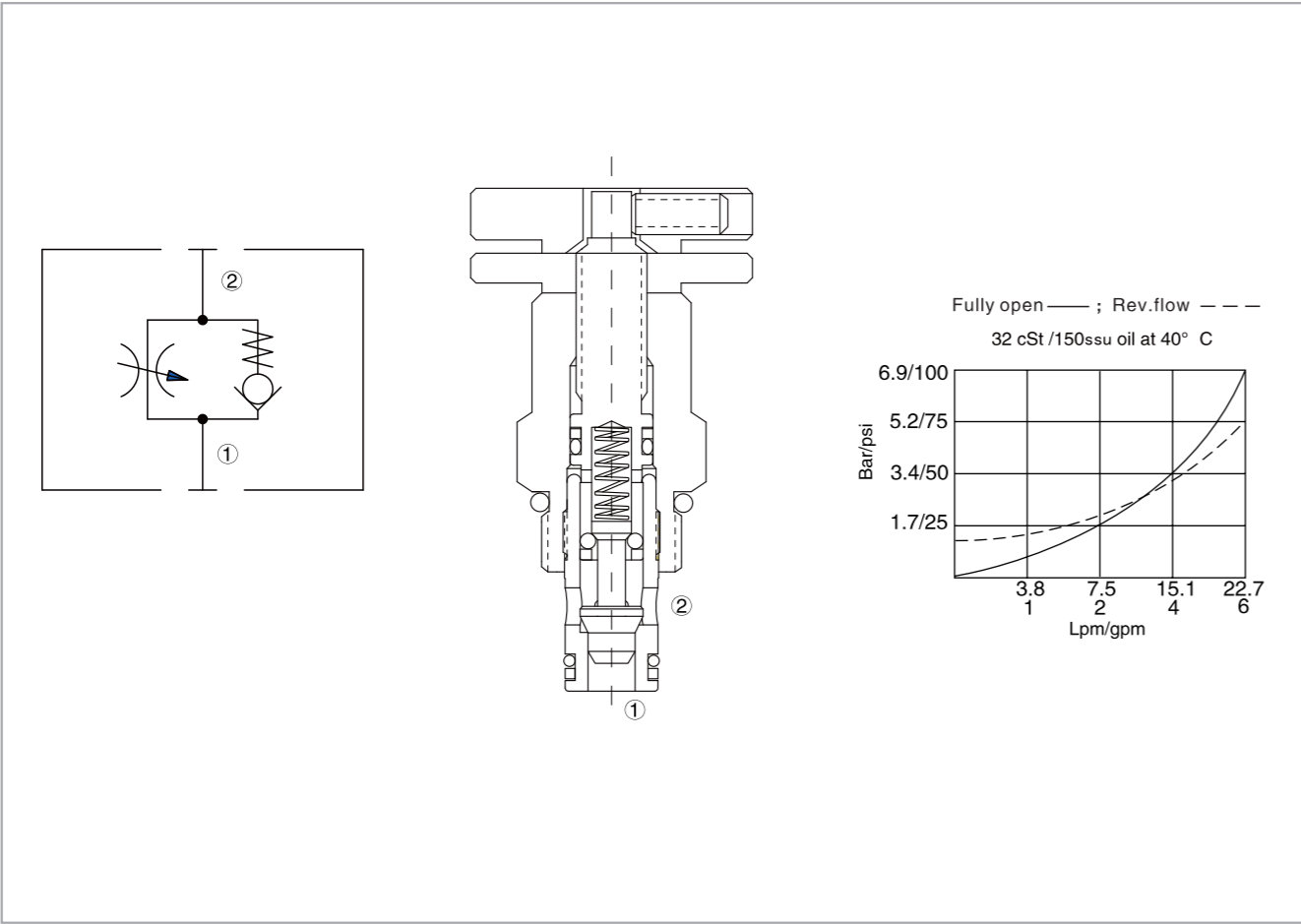
### Operation

The valve varies flow restriction by adjusting needle in or out. Flow is metered from ② to ①. Free reverse flow is from ① to ②.

### Specifications

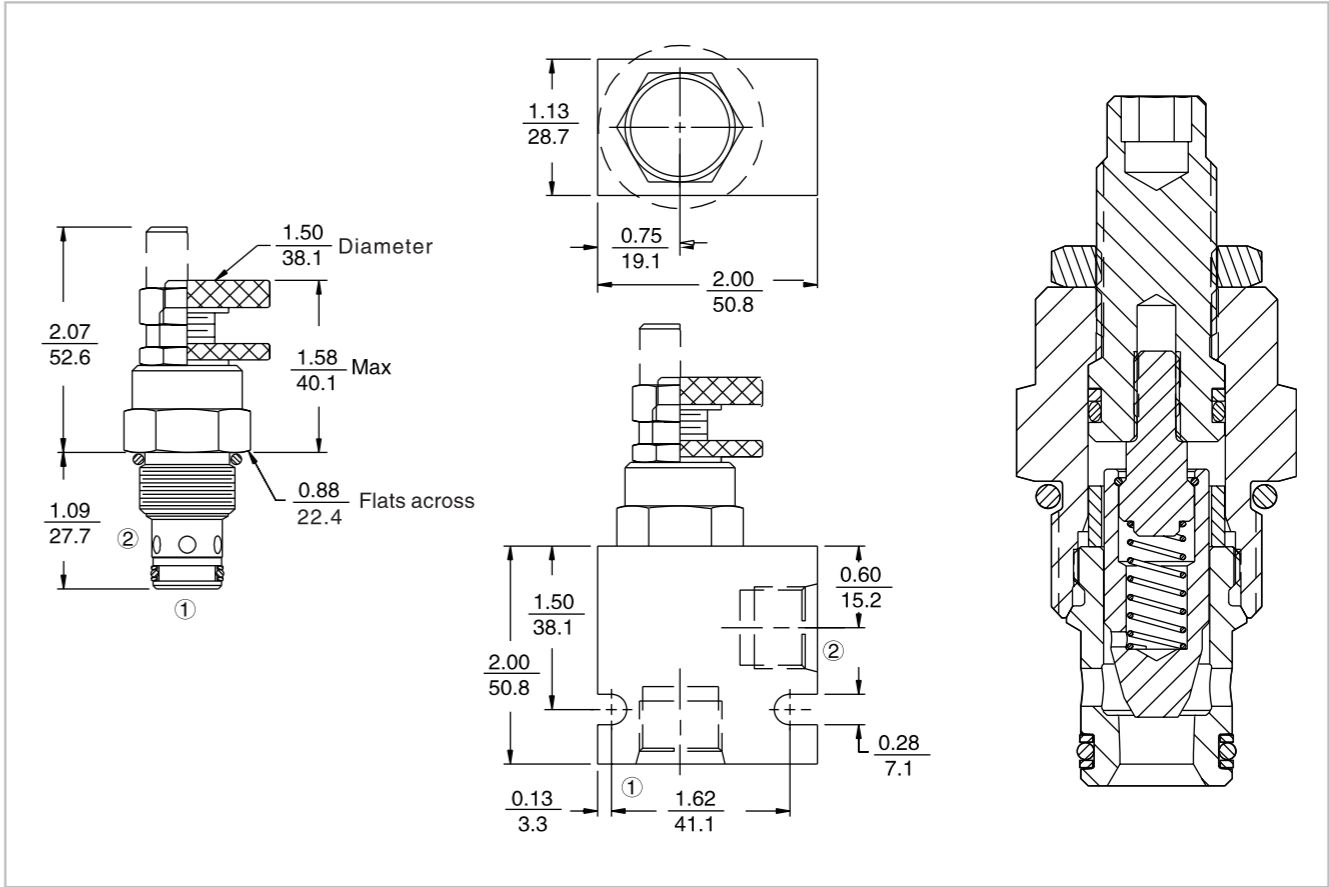
Operating pressure:	240 Bar
Flow:	Fully open 3.0 turns, nominal pressure difference at 7 Bar, flow rate is 22.7 lpm
Internal leakage:	10 Drops/min. max. at shut-off
Temperature:	(-40°C To +120°C) with NBR material seals
Fluids:	Mineral-based fluids with viscosities of 7.4 to 420 cSt.
Cavity:	HY08-2, see page H.1.2
Body material:	6061-T6 Aluminum alloy rated to 207 bar, steel & ductile iron rated to 350 bar

### Code symbol, profile and pressure drop vs. flow



# HYFC08-20 (Flow Control Valve With Reverse Flow Check)

### External dimensions



### Material science and order model

Cartridge: weight: 0.17 kg (0.37 lb);  
 Steel, the working face is duratected  
 Surface zinc-plated;  
 NBR material sealing and check  
 ring (standard);  
 Aluminum knob with anodic oxidation.  
 Block: weight: 0.16 kg (0.35 lb);  
 High-strength performance  
 aluminum alloy with anodic  
 oxidation; #6061 T6;  
 Rated pressure up to 240 bar (3500 psi);  
 Also available with ductile cast iron  
 and steel material;  
 Size might be different, please consult factory.

HYFC08-20	-	-	-	-
	Adjustment option		Seals	
	1/4 In. hex allen head	A	N Buna N (std.)	
	1-1/2 In. dia. alum. knob	B	V Fluorocarbon	
	Option A w/cover cap	C		
	Top handle with locking nut	D		
	Only referring to the top handle	E		
			Porting	
			0 Cartridge only	
			4T SAE 4	
			6T SAE 6	
			2B 1/4 Inch BSP*	
			3B 3/8 Inch BSP*	
			4B 1/2 Inch BSP*	