

# HYFC10-20 (Flow Control Valve With Reverse Flow Check)

## Description

A cartridge-style adjustable flow control valve with reverse flow check.

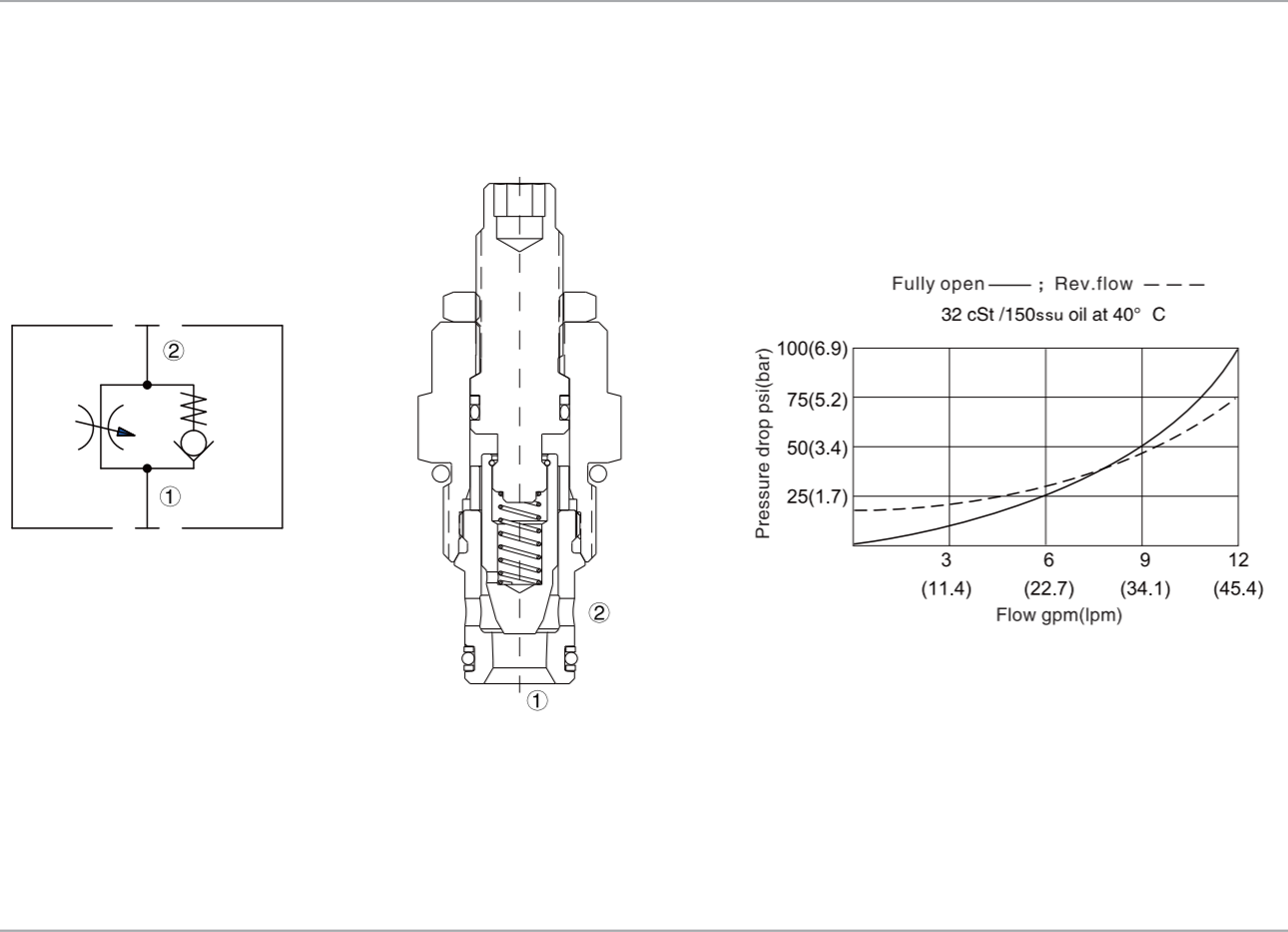
## Operation

The valve varies flow restriction by adjusting needle in or out. Flow is metered from ② to ①. Free reverse flow is from ① to ②.

## Specifications

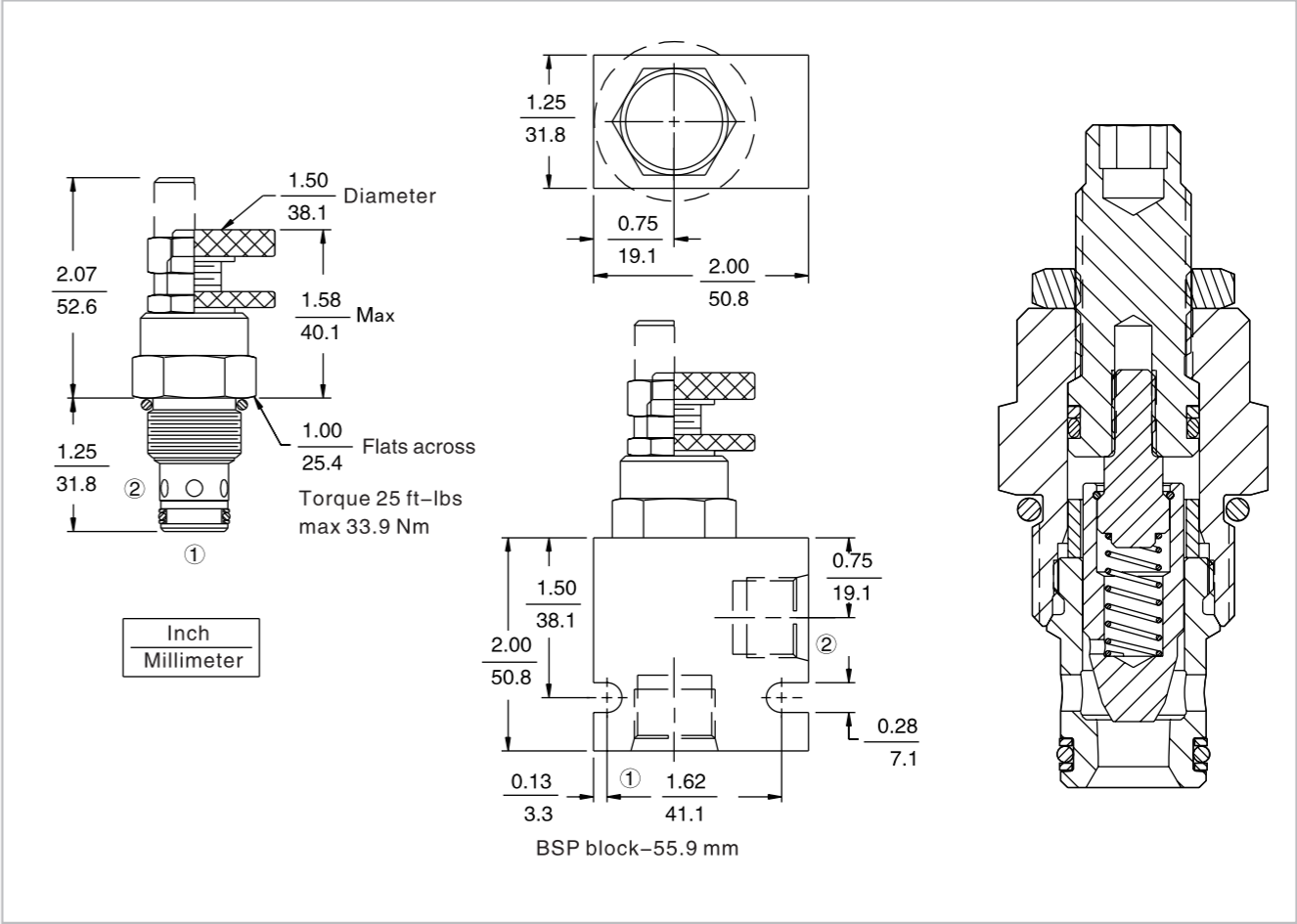
Operating pressure:	240 Bar
Flow:	Fully open 3.0 turns, nominal pressure difference at 7 Bar, flow rate is 45 lpm
Internal leakage:	10 Drops/min. max. at shut-off
Temperature:	(-40°C To +120°C) with NBR material seals
Fluids:	Mineral-based fluids with viscosities of 7.4 to 420 cSt.
Cavity:	HY10-2, see page H.1.3
Body material:	6061-T6 Aluminum alloy rated to 207 bar, steel & ductile iron rated to 350 bar

## Code symbol, profile and pressure drop vs. flow



# HYFC10-20 (Flow Control Valve With Reverse Flow Check)

## External dimensions



## Material science and order model

Cartridge: weight: 0.17 kg (0.37 lb); Steel, the working face is duratected Surcace zine-plated; NBR material sealing and check ring (standard); Aluminum knob with anodic oxidation.

Block: weight :0.16 kg (0.35 lb); High-strength performance aluminum alloy with anodic oxidation; #6061 T6; Rated pressure up to 240 bar (3500 psi); Also available with ductile cast iron and steel material; Size might be different, please consult factory.

**HYFC10-20**

<b>Adjustment option</b>		<b>Seals</b>
1/4 In. hex allen head	A	N Buna N ( std. )
1-1/2 In. dia. alum. knob	B	V Fluorocarbon
Option A w/cover cap	C	
Top handle with locking nut	D	
Only referring to the top handle	E	

**Porting**

0	Cartridge only
6T	SAE 6
8T	SAE 8
2B	1/4 Inch BSP*
3B	3/8 Inch BSP*
4B	1/2 Inch BSP*