

HYFC12-20 (Flow Control Valve With Reverse Flow Check)

Description

A cartridge-style adjustable flow control valve with reverse flow check.

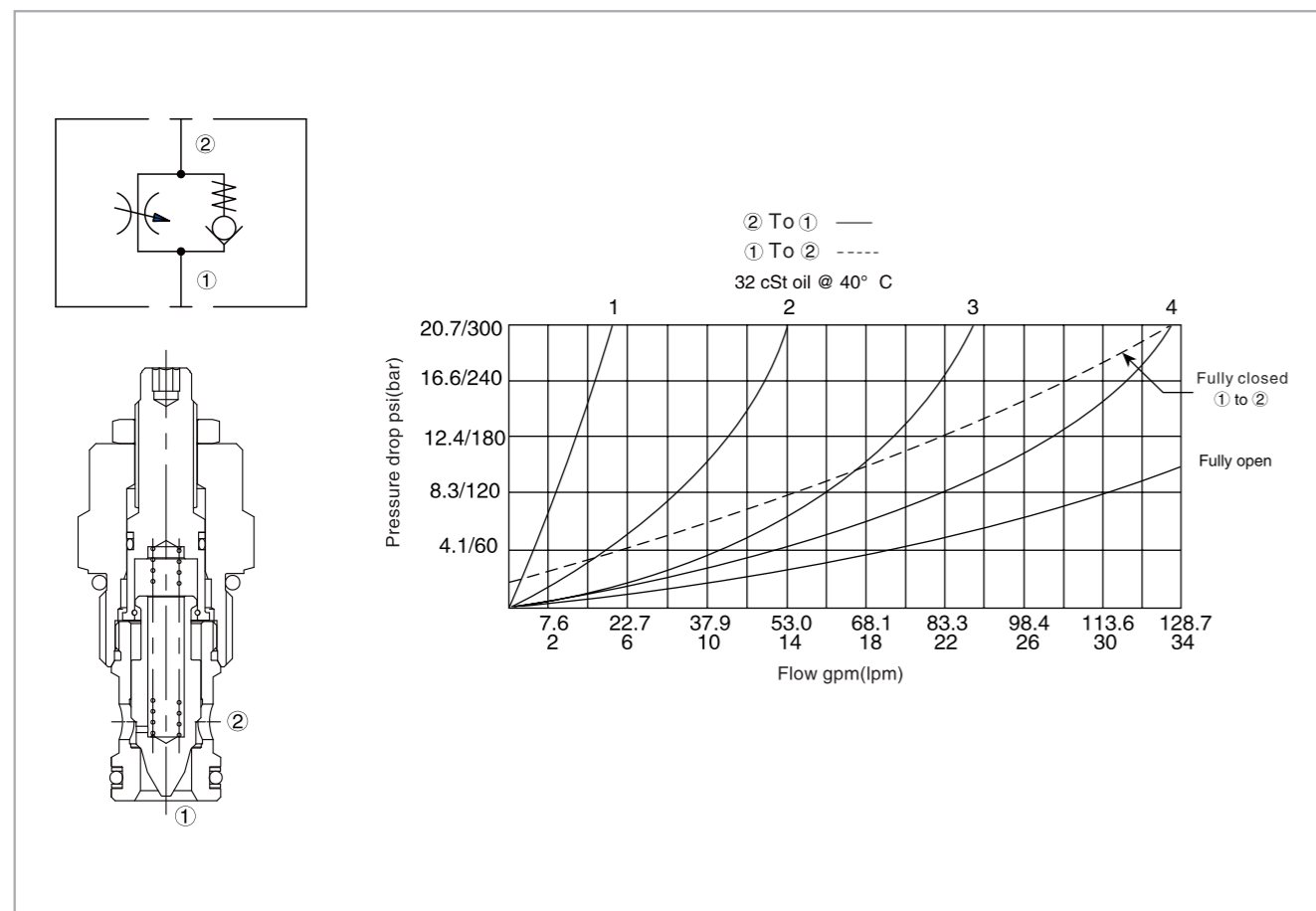
Operation

The valve varies flow restriction by adjusting needle in or out. Flow is metered from ② to ①. Free reverse flow is from ① to ②.

Specifications

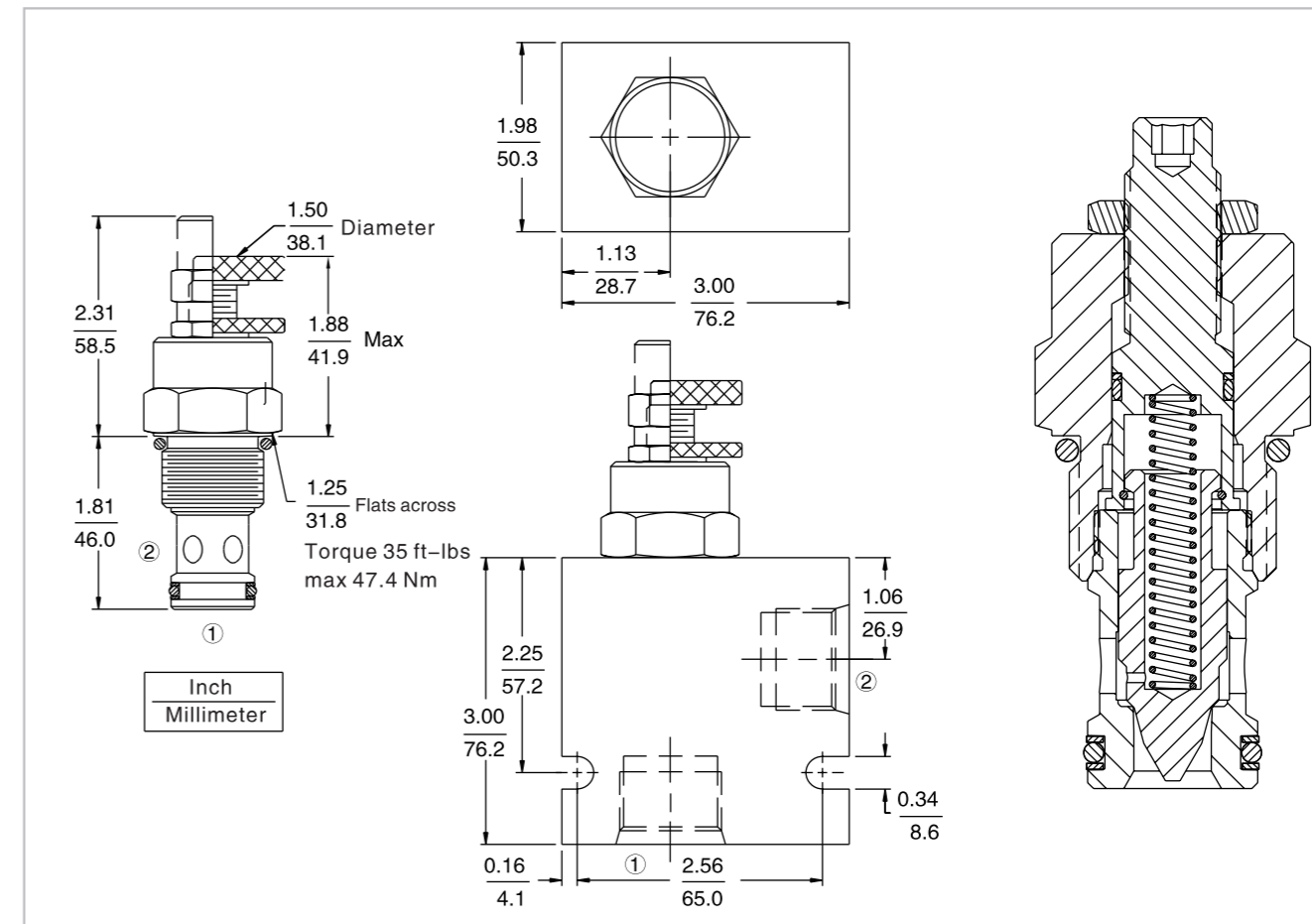
Operating pressure:	240 Bar
Flow:	See pressure drop vs. flow graph
Internal leakage:	3 Drops/min. max. at 240 bar
Temperature:	(-40°C To +120°C) with NBR material seals
Fluids:	Mineral-based fluids with viscosities of 7.4 to 420 cSt.
Cavity:	HY12-2, see page H.1.5
Body material:	6061-T6 Aluminum alloy rated to 207 bar, steel & ductile iron rated to 350 bar

Code symbol, profile and pressure drop vs. flow



HYFC12-20 (Flow Control Valve With Reverse Flow Check)

External dimensions



Material science and order model

Cartridge: weight: 0.20 kg (0.45 lb); Steel, the working face is duratected Surcace zine-plated; NBR material sealing and check ring (standard); Aluminum knob with anodicoxidation.

Block: weight :0.57 kg (1.25 lbs); High-strength performance aluminum alloy with anodic oxidation; #6061 T6; Rated pressure up to 240 bar (3500 psi); Also available with ductile cast iron and steel material; Size might be different, please consult factory.

HYFC12-20		Seals	
Adjustment option		N	Buna N (std.)
1/4 In. hex allen head	A	V	Fluorocarbon
1-1/2 In. dia. alum. knob	B		
Option A w/cover cap	C		
Top handle with locking nut	D		
Only referring to the top handle	E		
		Porting	
		0	Cartridge only
		10T	SAE 10
		12T	SAE 12
		16T	SAE 16
		4B	1/2 Inch BSP*
		6B	3/4 Inch BSP*
		8B	1 Inch BSP*