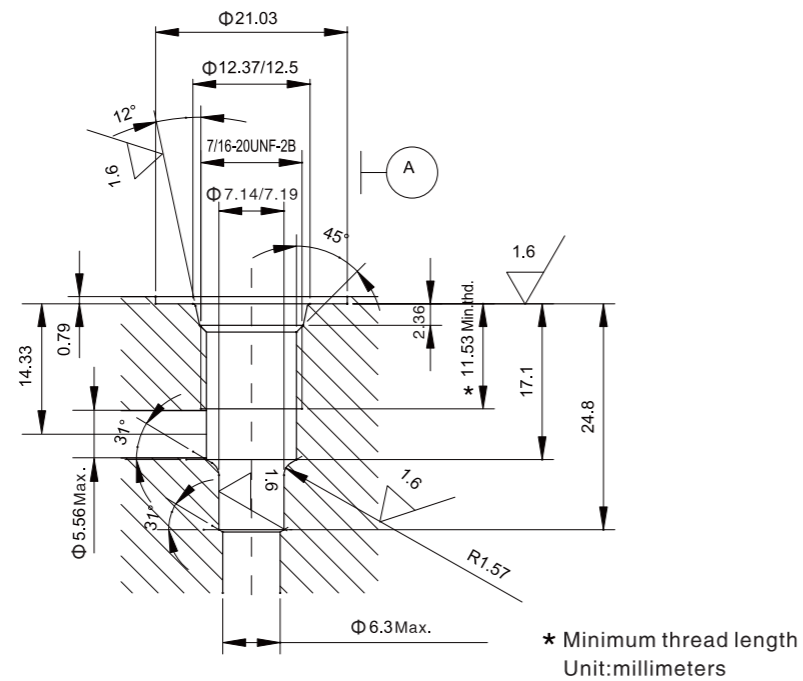
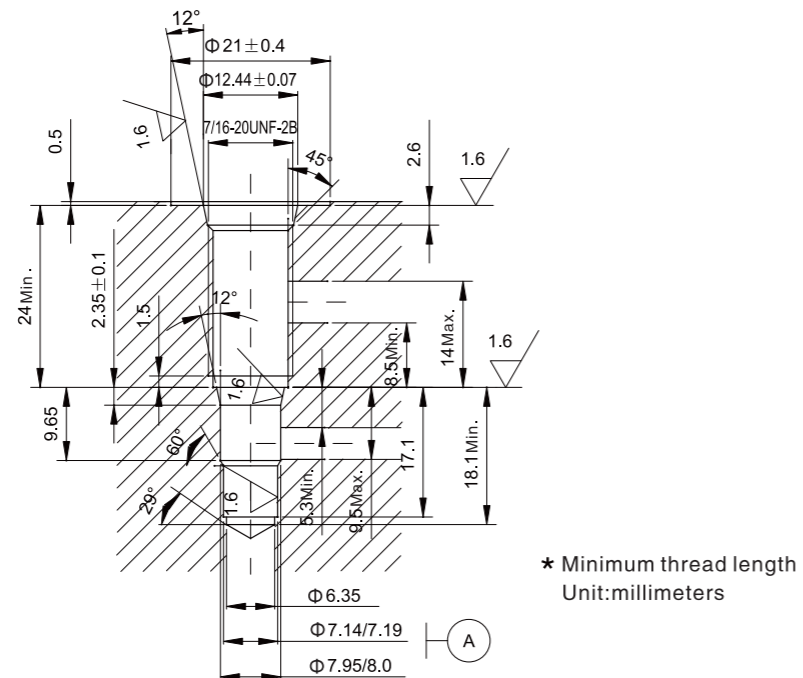


Cavity

Size



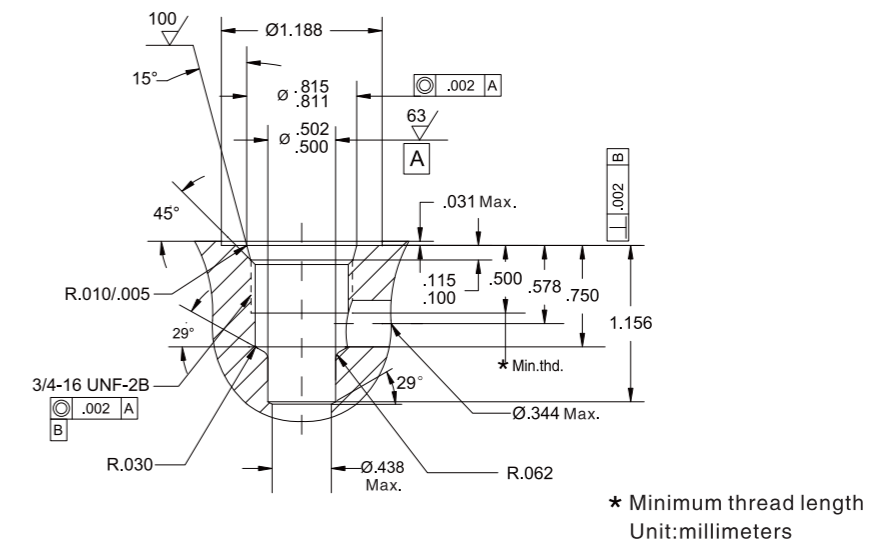
0.05 A Thread and all diameters 0.05mm
Cavity:HY04-2



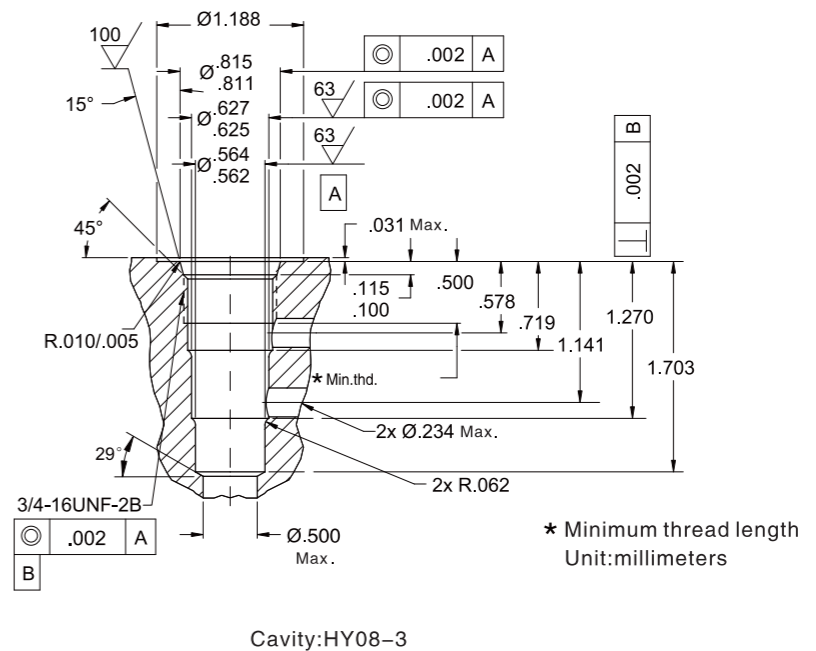
0.05 A Thread and all diameters 0.05mm
Cavity:HY04-B2

Cavity

Size



Cavity:HY08-2

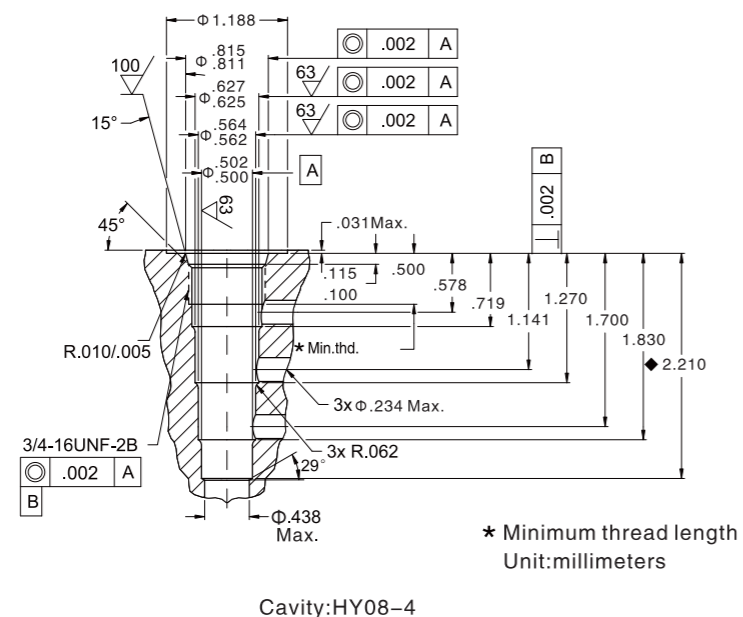


Cavity:HY08-3

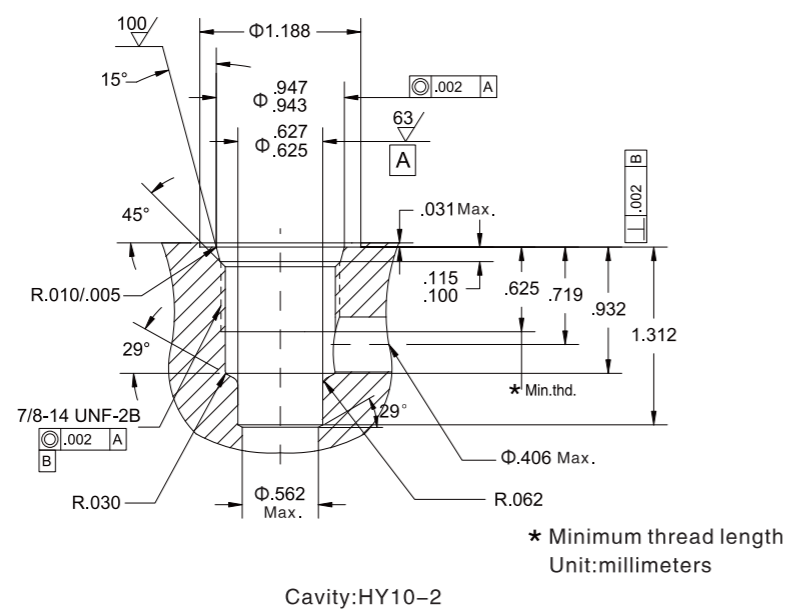
※ If cavity is to fit following valves (LSV2-08-3B,LMP-08-3B-L), or orifice, pilot drill $\Phi 0.500$ is required with min. depth of 1.81 from spotface.

Cavity

Size

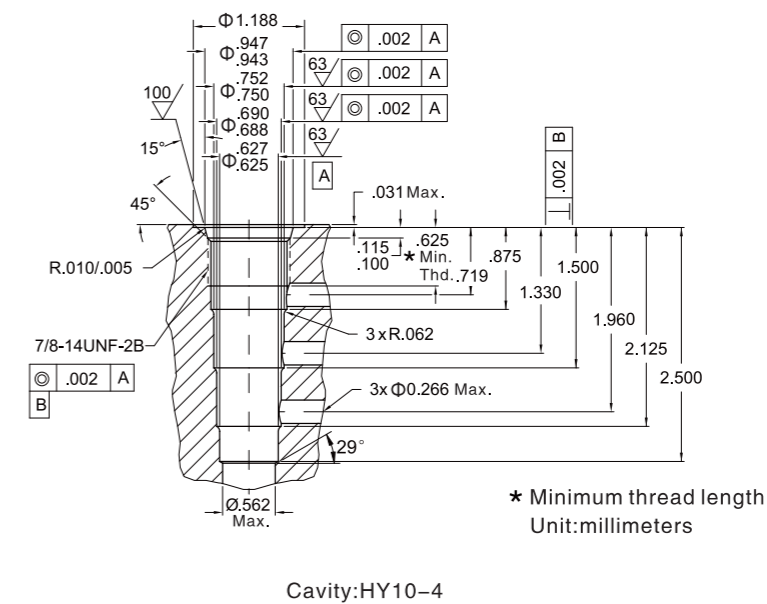
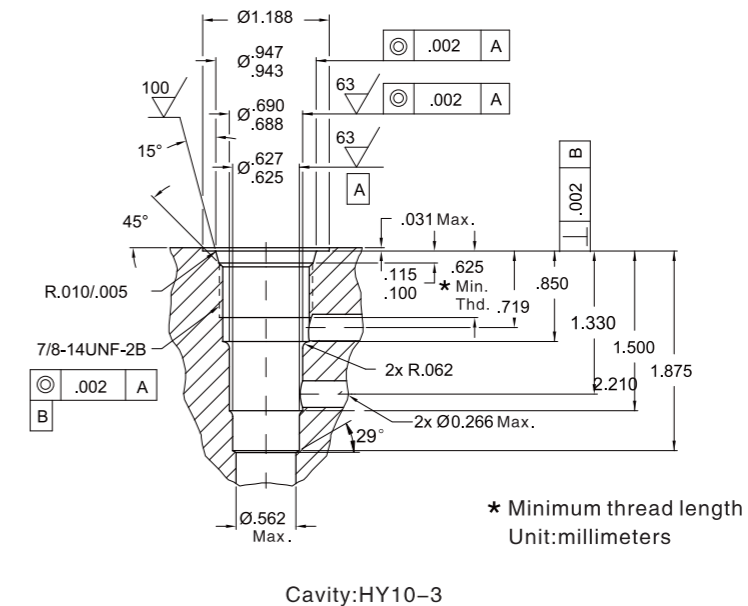


◆ If cavity is to fit valves LSPC-08-4 or LDPC-08, $\Phi 0.500/0.502$ is required with minimum depth of 2.2 inch (56mm) from spotface.



Cavity

Size

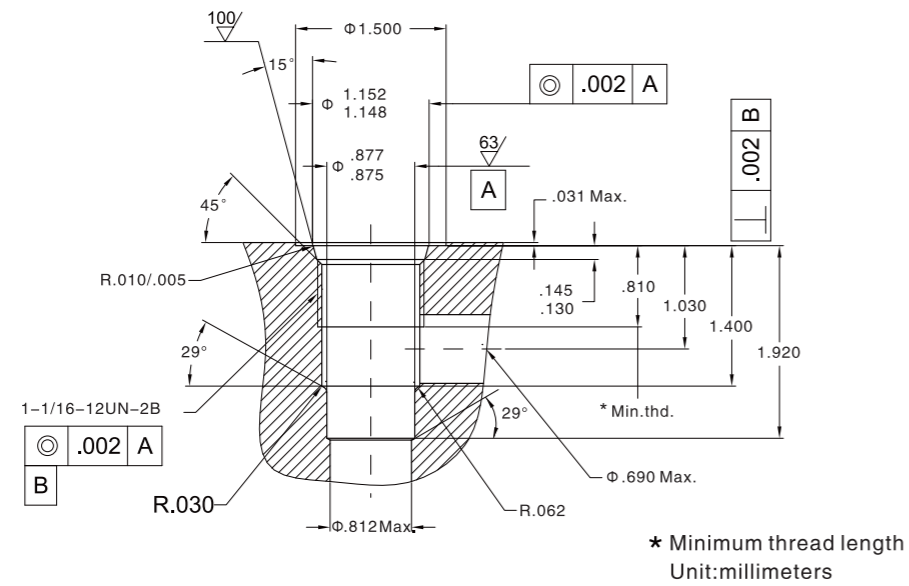


H.1.3

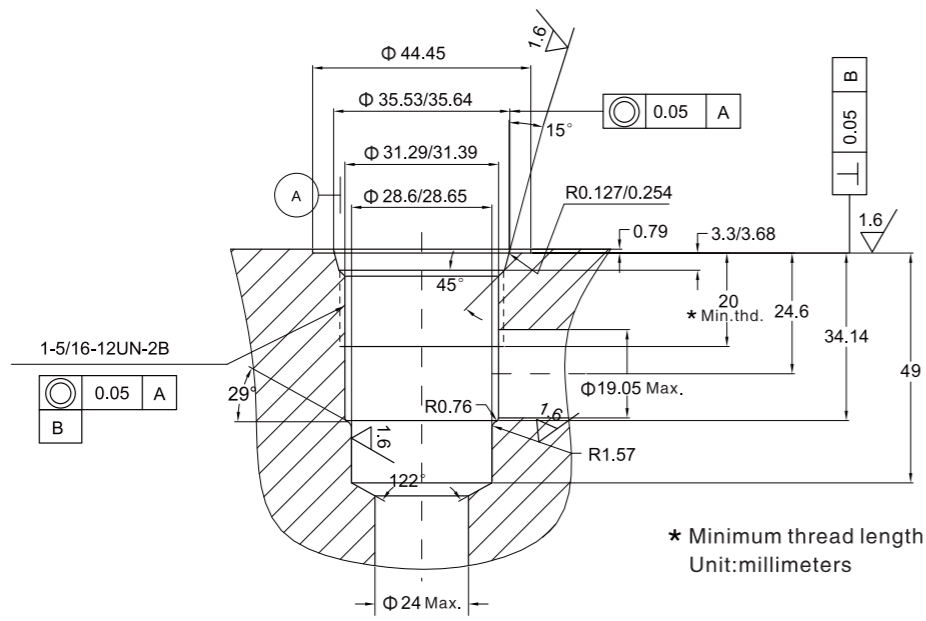
H.1.4

Cavity

Size



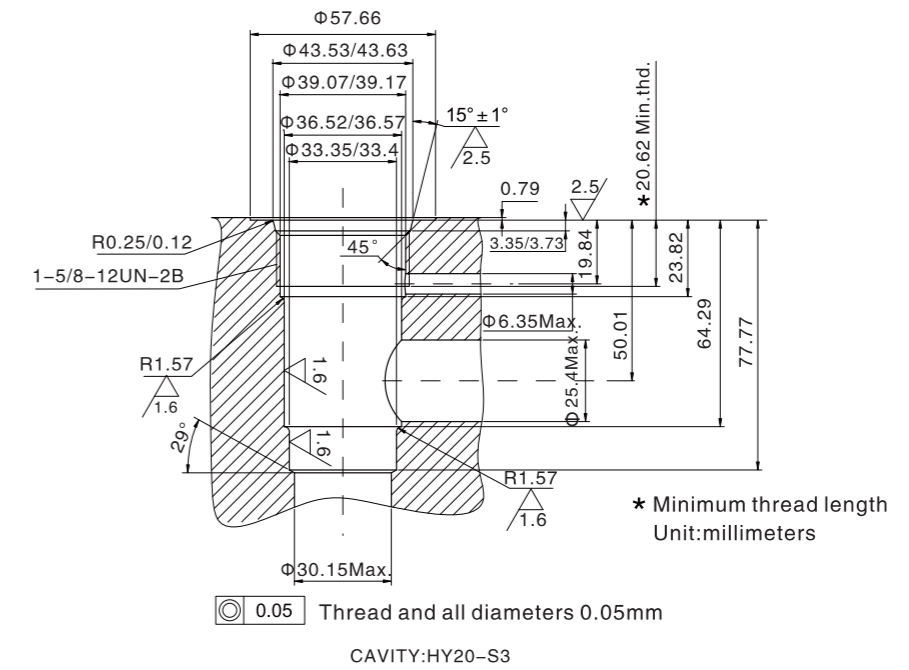
Cavity:HY12-2



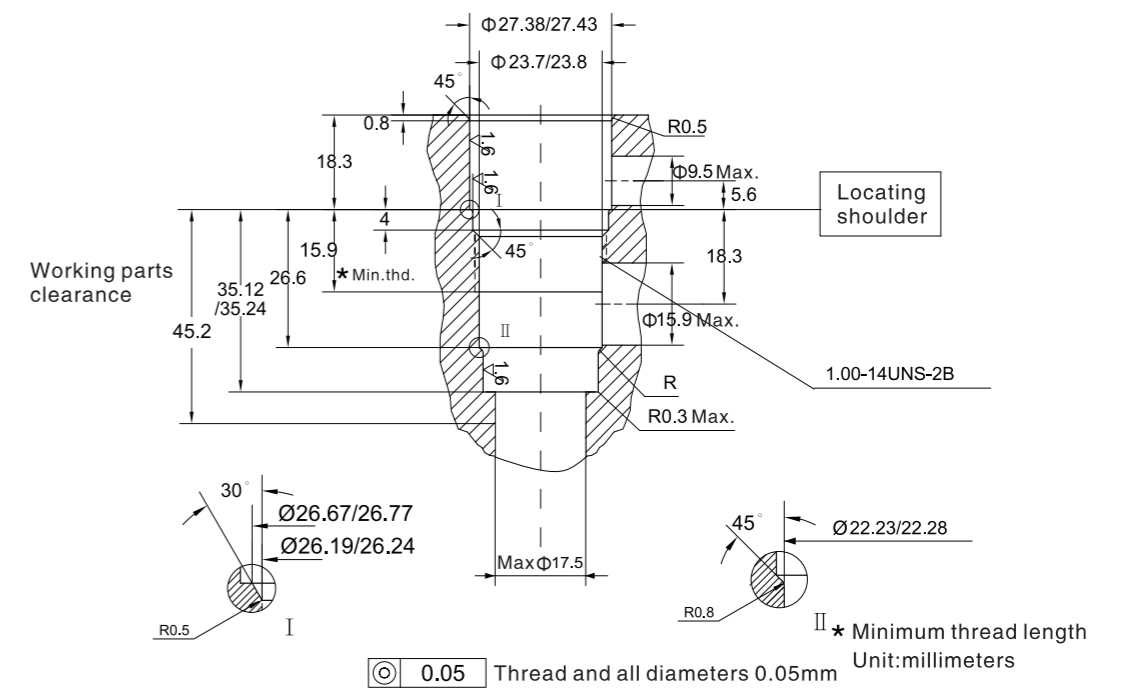
Cavity:HY16-2

Cavity

Size



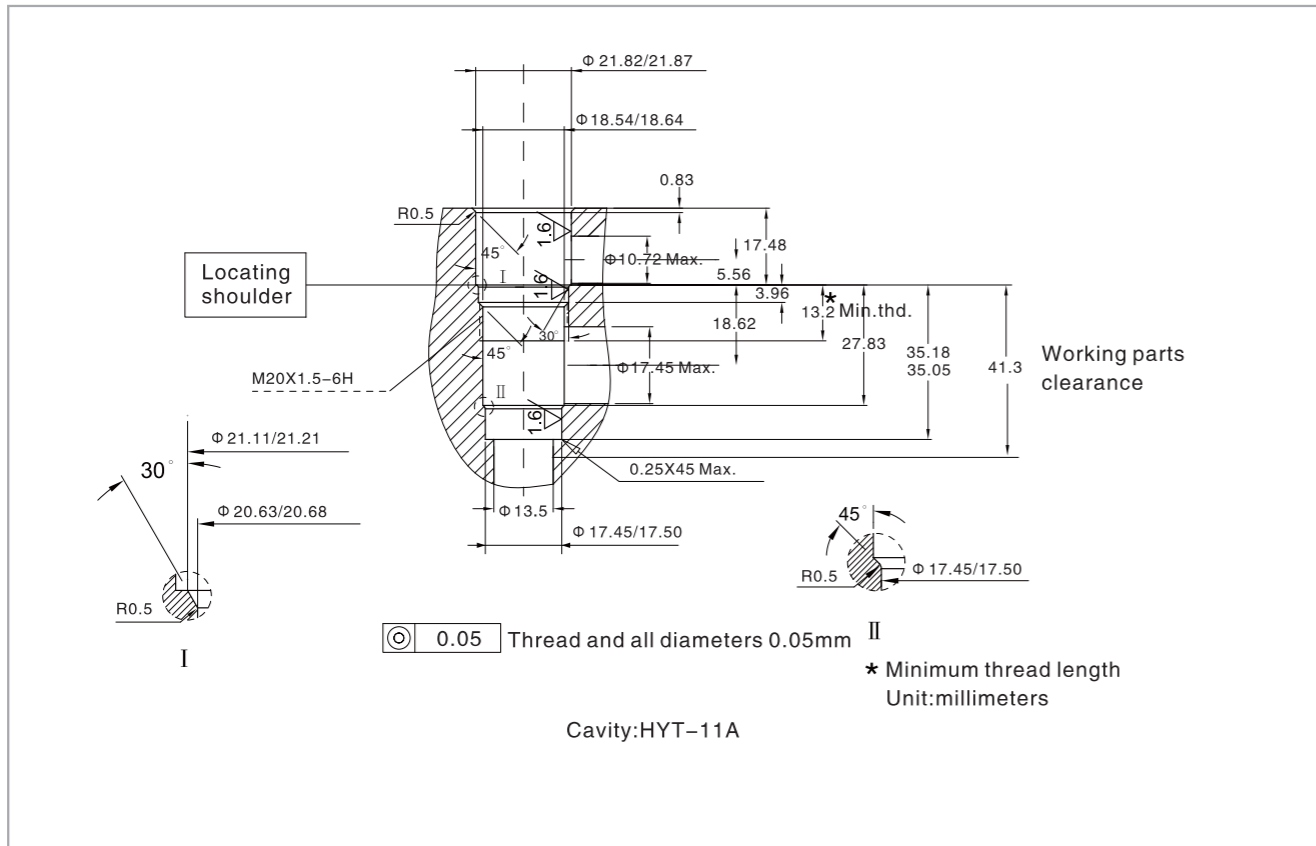
CAVITY:HY20-S3



Cavity:HYT-2A

Cavity

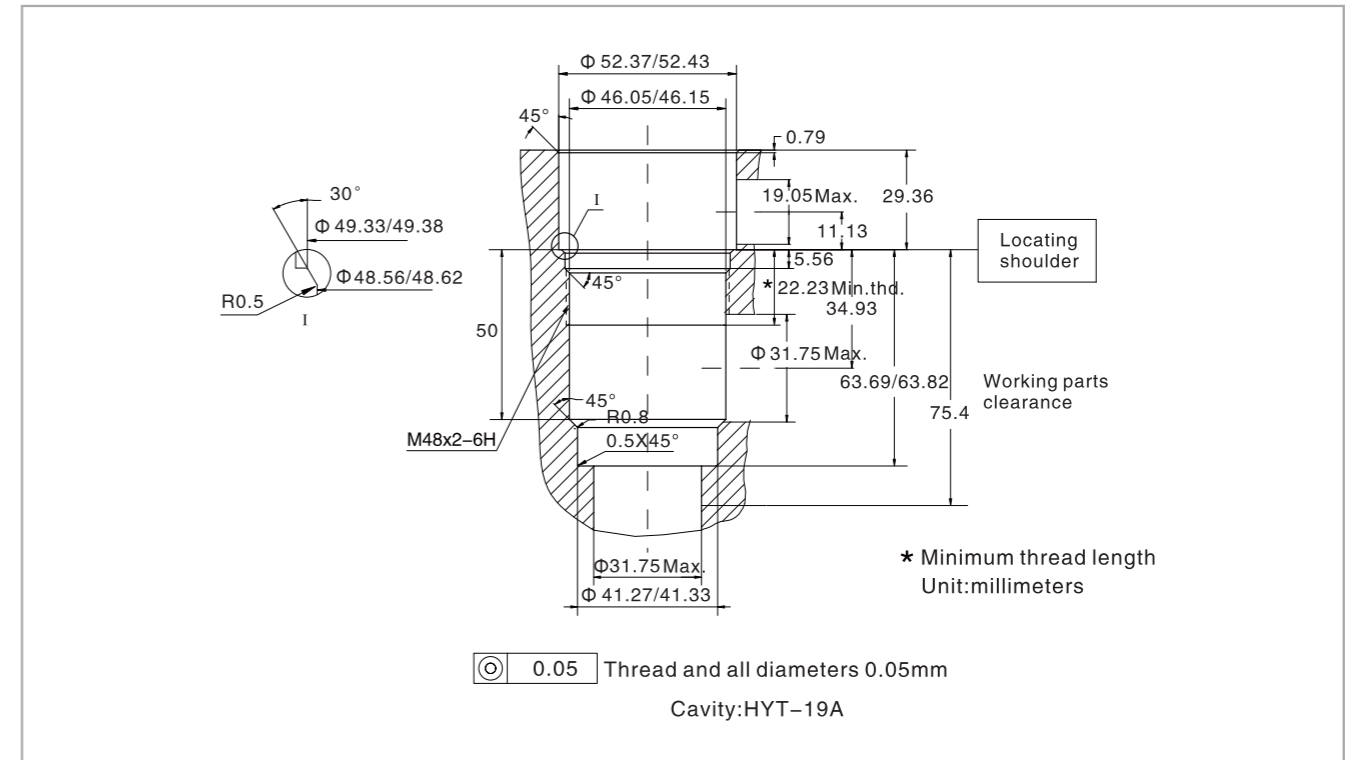
Size



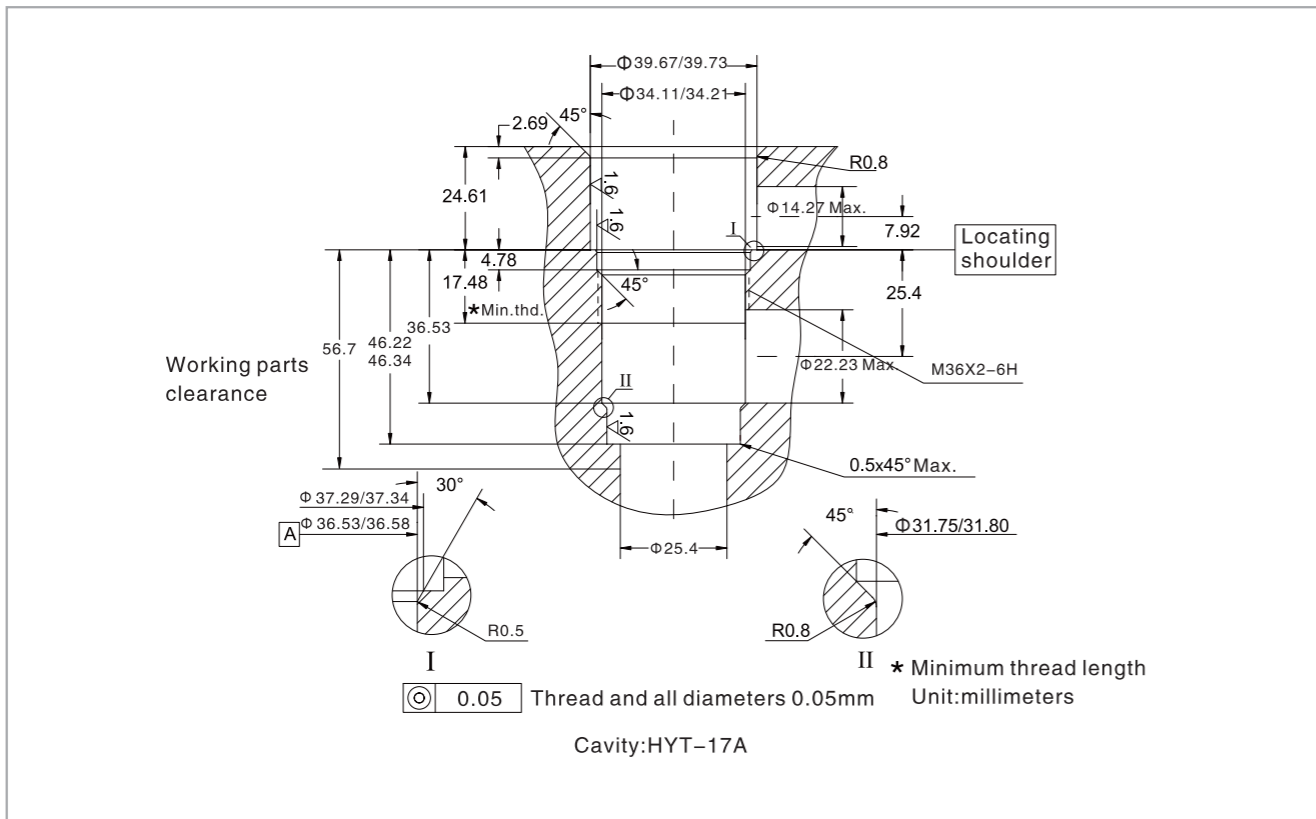
H.1.7

Cavity

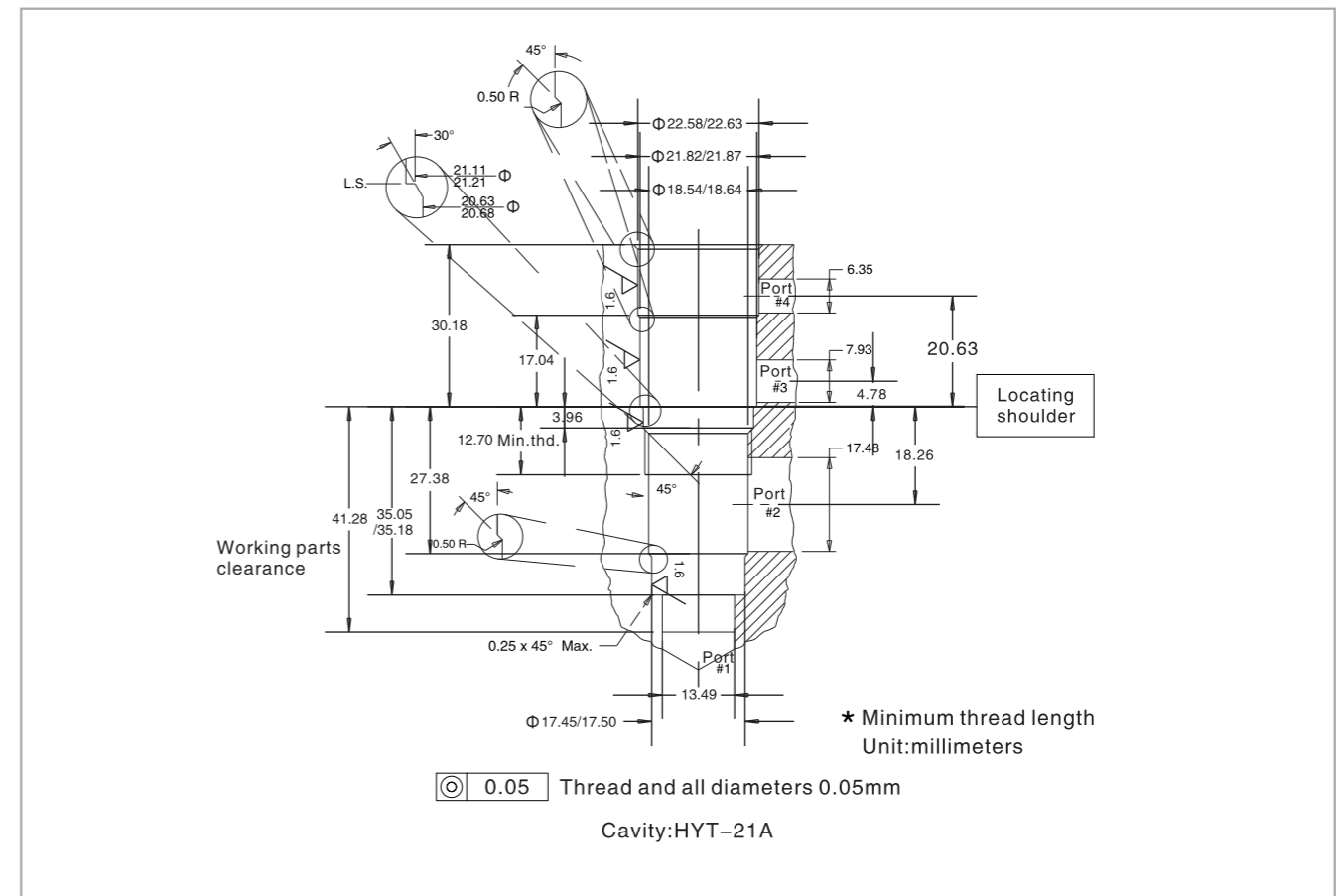
Size



H.1.8



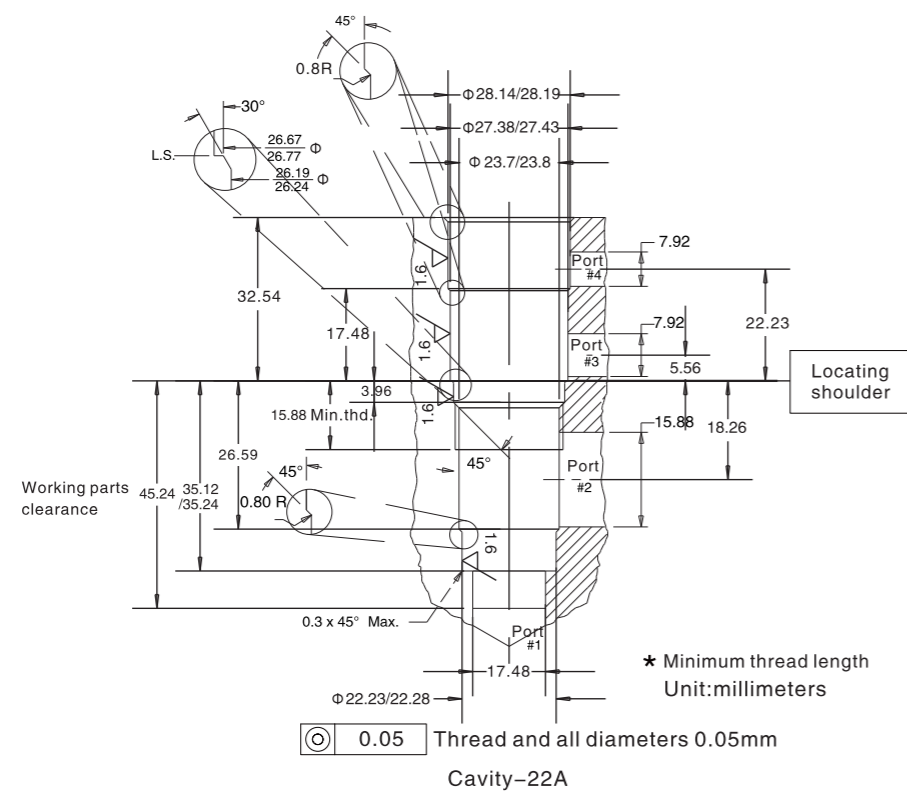
H.1.7



H.1.8

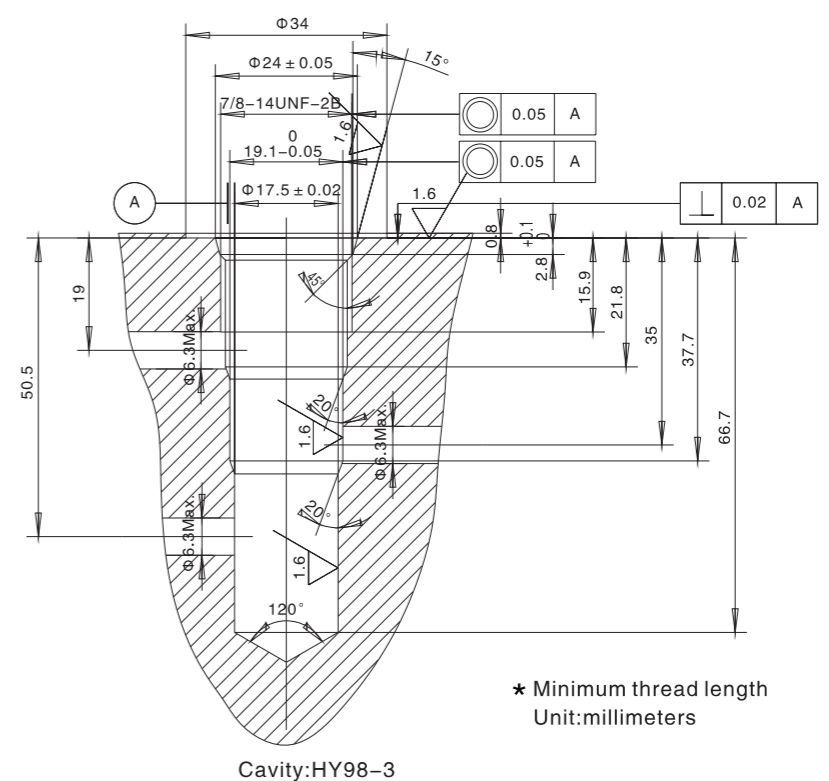
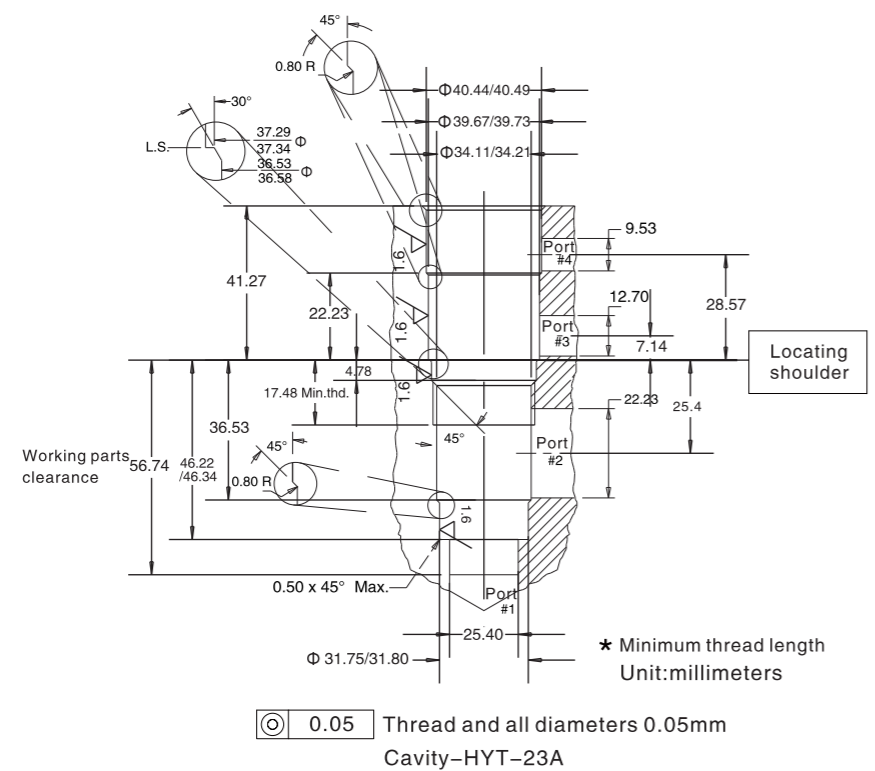
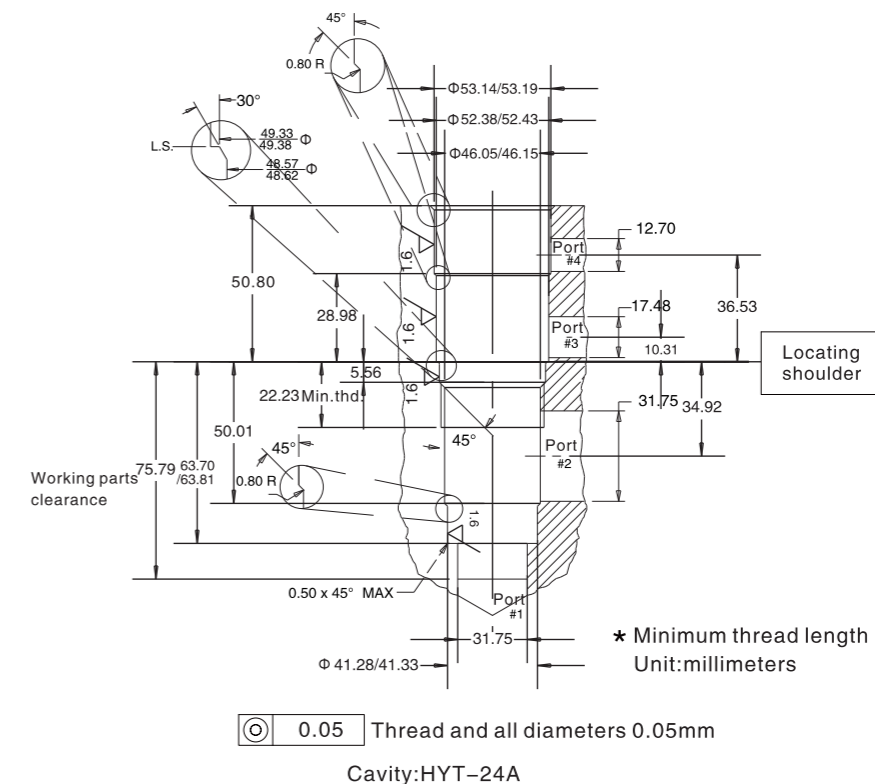
Cavity

Size



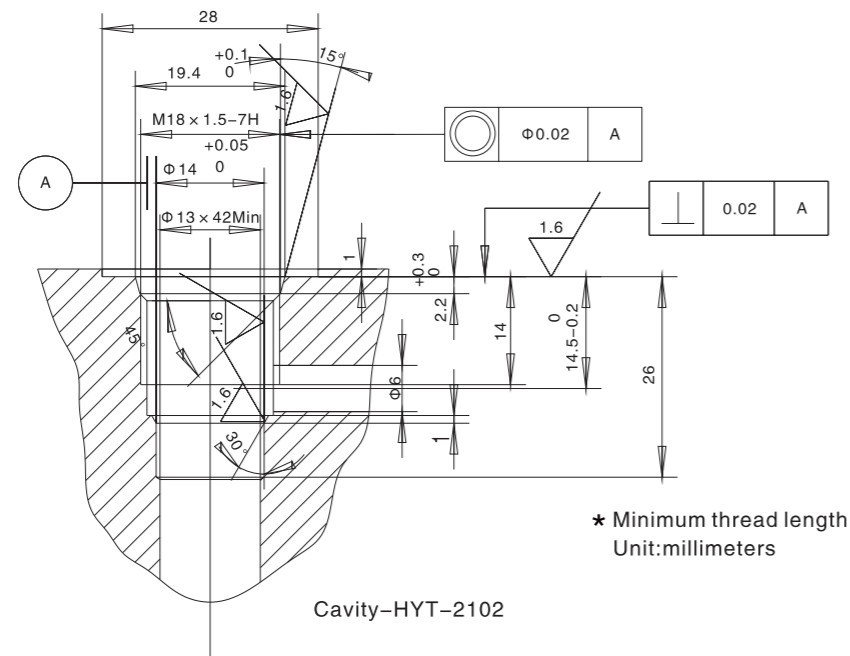
Cavity

Size

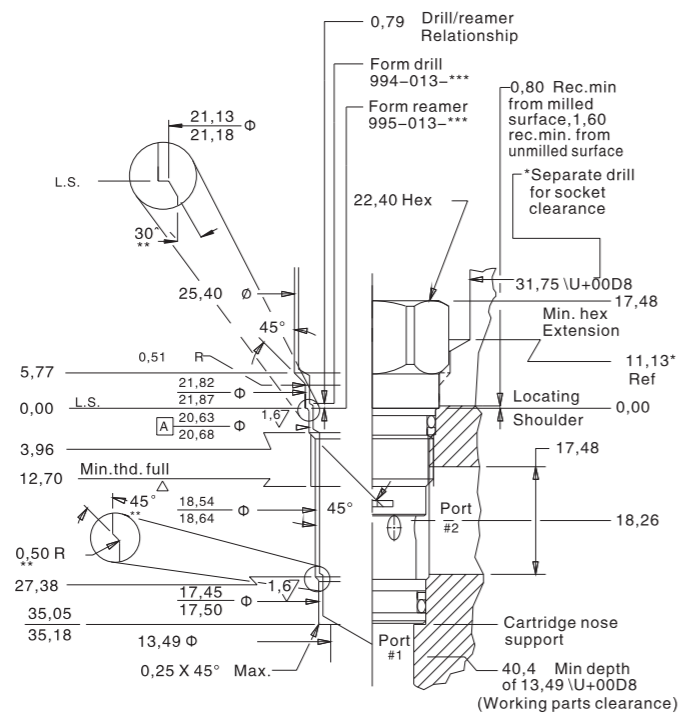


Cavity

Size



Cavity-HYT-2102



$\text{Ⓞ} 0.05$ Thread and all diameters 0.05mm * Minimum thread length Unit: millimeters

Cavity-HYT-13A

(All Dimensions In Millimeters)

Δ M20X1.5-6h Iso (metric) thread
19,026/19,216 pitch dia.