

HY-YF04-05 (Direct-operated Relief Valve)

Brief introduction

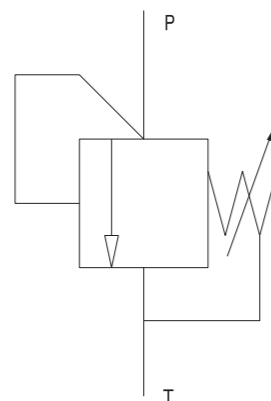
Product features:

- Screw-in cartridge;
- Small size; compact structure;
- Direct-operated, poppet-type;
- Optional pressure adjusting spring.

Function:

When the pressure value of port P is 85% of the spring set pressure, oil port P to T will be closed; If the pressure is more than 85% and continue rising, the fluid will be relieved from port P to T, till to the max spring set pressure value. (note: the rate 85% is an approximate value, it's normal that the actual value may slightly deviates)

Code symbol



Technical specification (for application beyond these parameters, please contact with us)

Model	HY-YF04-05
Installation position	Optional
Storage temperature (°C)	-30 To +120
Installation torque (N.m)	13.5-16

HY-YF04-05 (Direct-operated Relief Valve)

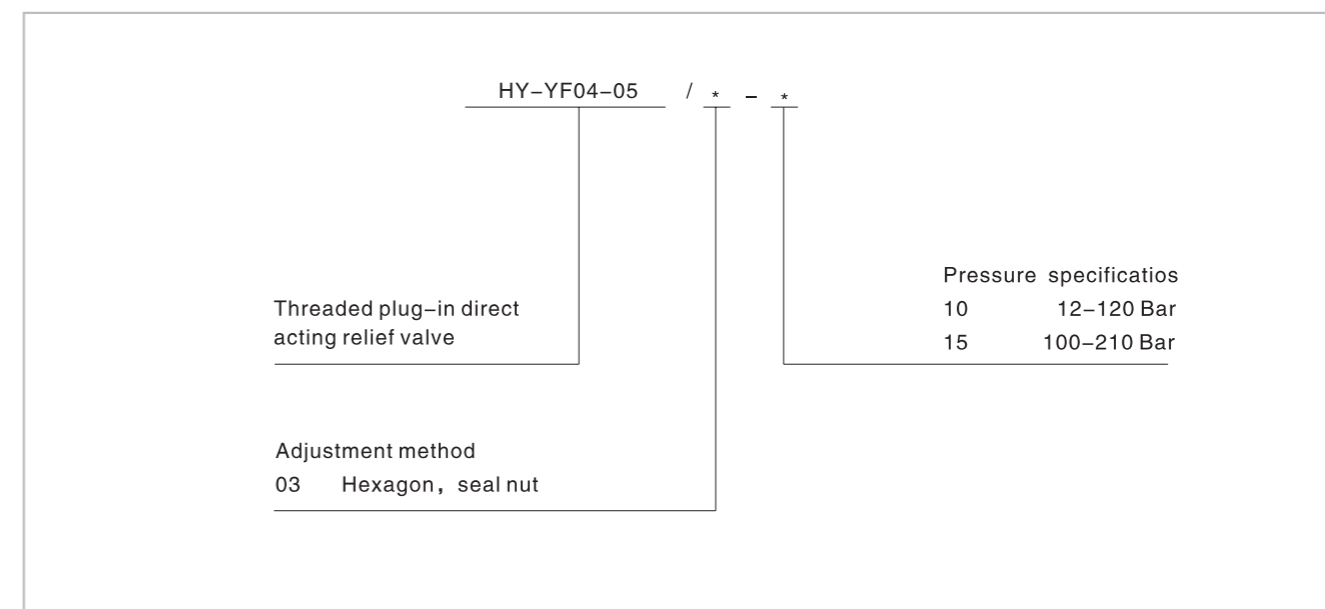
Hydraulic parameters

Maximum pressure	210 Bar
Maximum flow	15 L/min
Internal leakage	3 ml/min (measured at 210 bar)
Working medium	Mineral oil; phosphate-ester
Viscosity range	20-380 mm ² /S
Oil temperature	-20-+70°C
Pollution level	The maximum allowable cleanliness of the oil should be according to 9th degree of Standard NAS1638. It is suggested that the minimum filter rating should be $\beta_{10} \geq 75$.
Cavity:	HYT-2102, see page H.1.11

Spring specifications

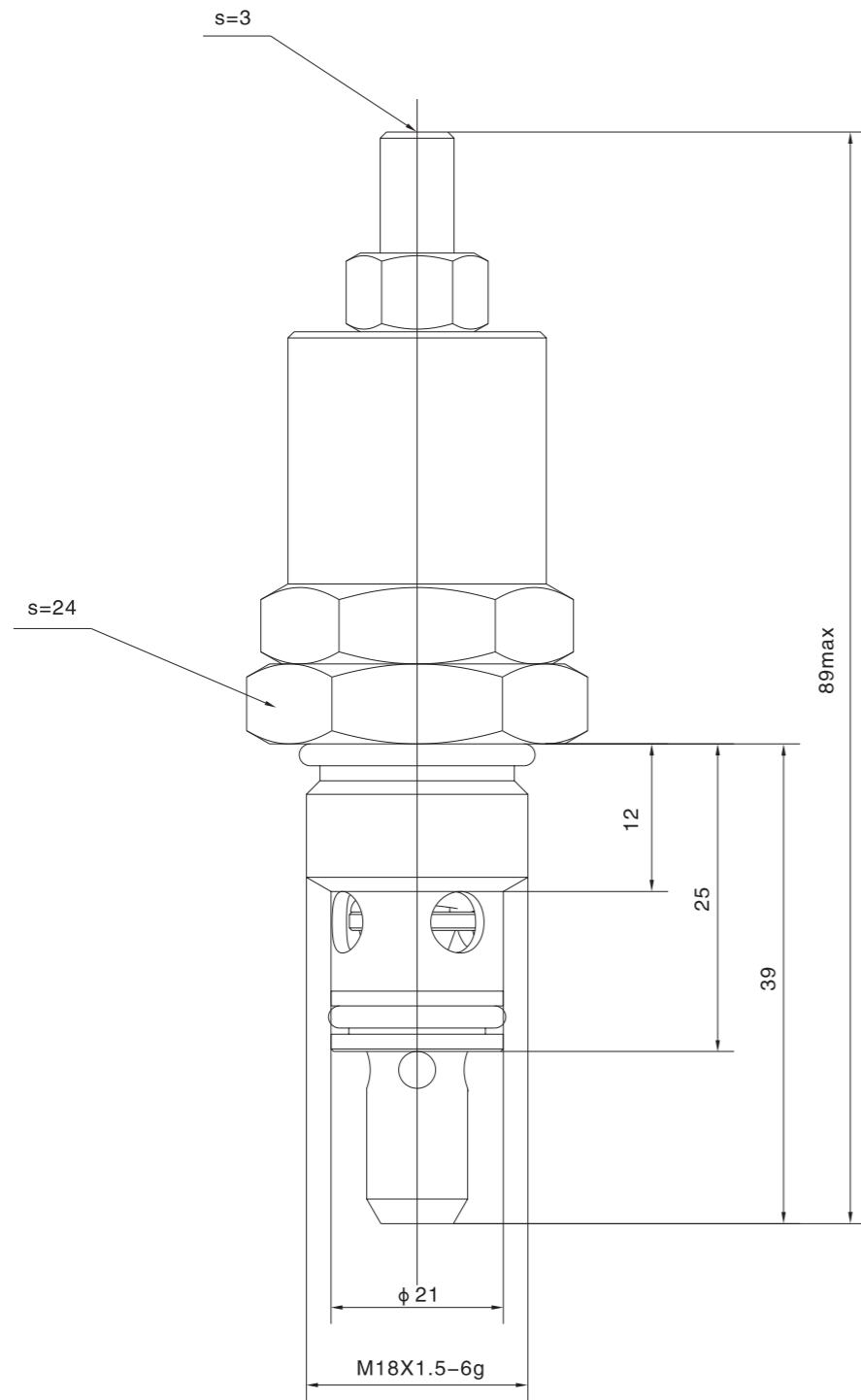
Pressure specifications	Regulating range (bar)	Pressure increment per turn (bar/turn)	Standard set pressure (bar)	Opening pressure (bar)
10	12-120	18	100	75
15	100-210	38	200	170

Model description



HY-YF04-05 (Direct-operated Relief Valve)

External dimensions



HOYEA

Flow Control Valve Series

