

智能称重样本

# INTELLIGENT WEIGHING CATALOG

CATALOG



**杭州零合自动化科技有限公司**  
Hangzhou Linghe Automation Technology Co., Ltd

地 址：浙江省杭州市余杭区宇达路 21 号 1 幢

ADD : YuDa Road 21st, YiQiao Industrial Zone, Yuhang District, Hangzhou, Zhejiang, China.

Phone: 0571-86201163

E-mail: sales@hzlinghe.com

Website: www.hzlinghe.com



Devote to making weighing easier!

融合前沿科技, 赋能行业创新, 让称重更简单。

Integrate frontier technologies;

Fuel industry-wide innovation;

Making weighing easier!



30+ years  
Experience

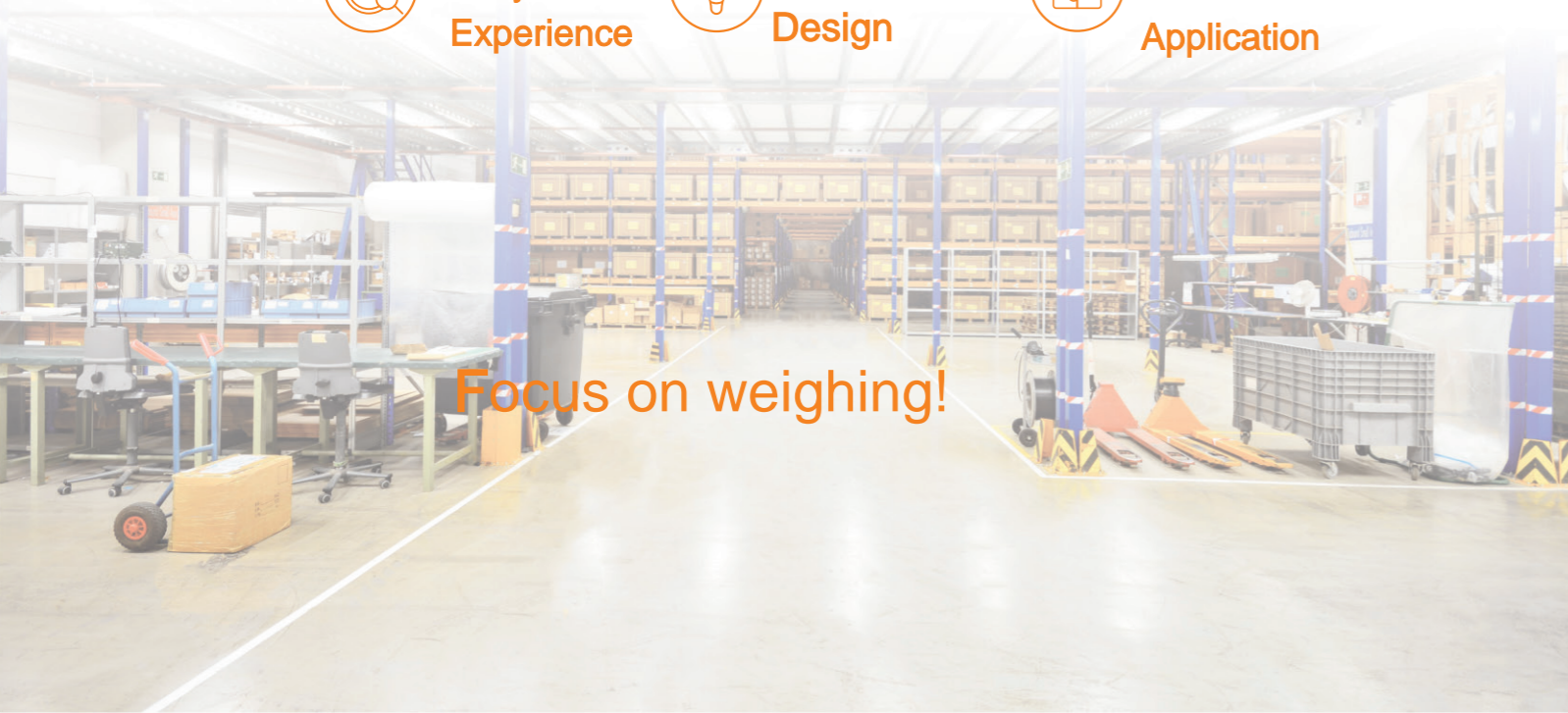


Patented  
Design



2000+  
Application

Focus on weighing!



Devote to making weighing easier!

一触智控 全局联测

One-touch Smart Control;

Whole Joint Testing!

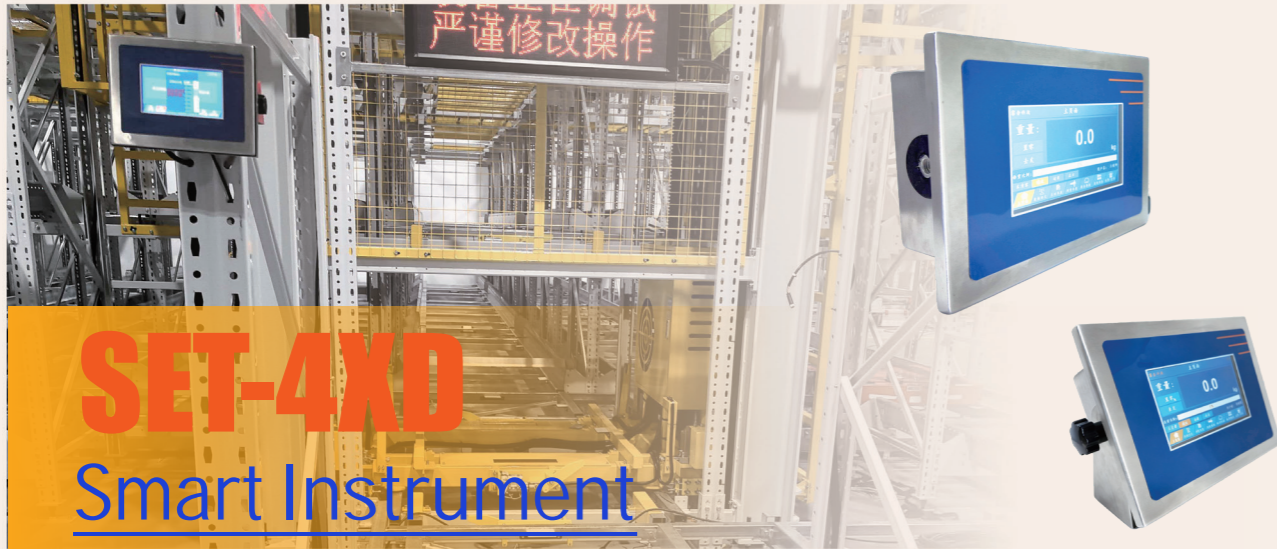


Intelligent Weighing System

Real-time Precision • Full-link  
Traceability



Devote to making weighing easier!



High Precision

Easy Commission

Diverse Mounting Options

### Features:

- Maximum Display Accuracy: 1/1,000,000;
- Touch screen display for simple and intuitive operation;
- The screen adopts authority management mode to prevent on-site misoperation;
- A wider range of mounting types available, including external mounting and panel mounting;
- Optional large-size screen display for clearer on-site visibility;
- Modbus-TCP, EtherCatOptional;

### Configuration :

- Standard: 4-inch touch screen display, Modbus-TCP communication bus;
- Optional: 7-inch touch screen display, EtherCat communication bus.

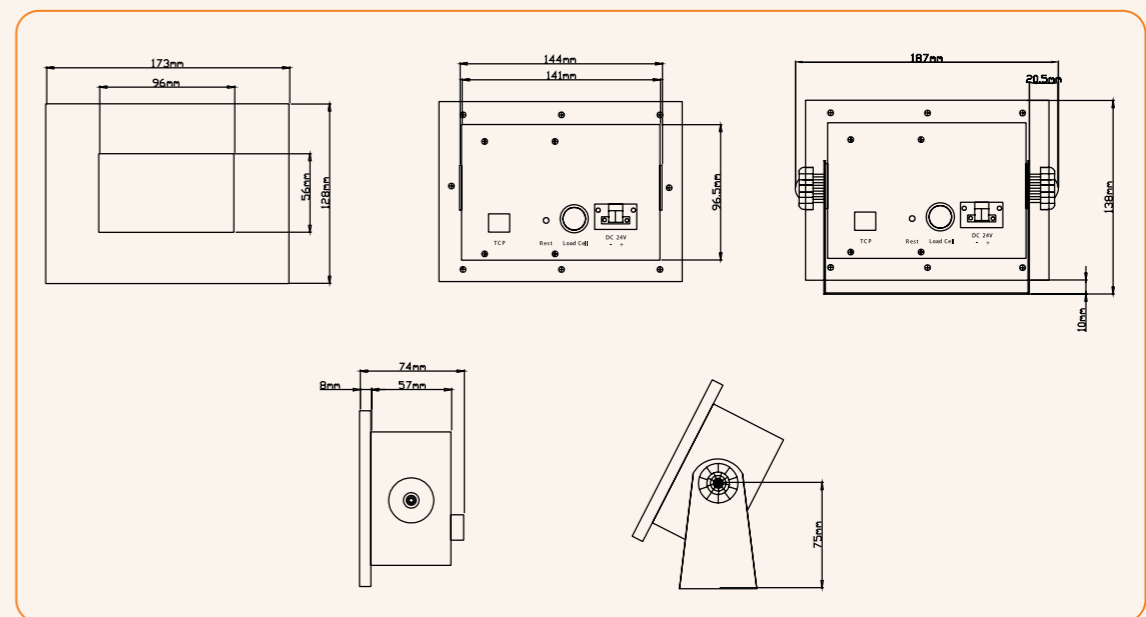


Devote to making weighing easier!

### SET-4XD Parameters

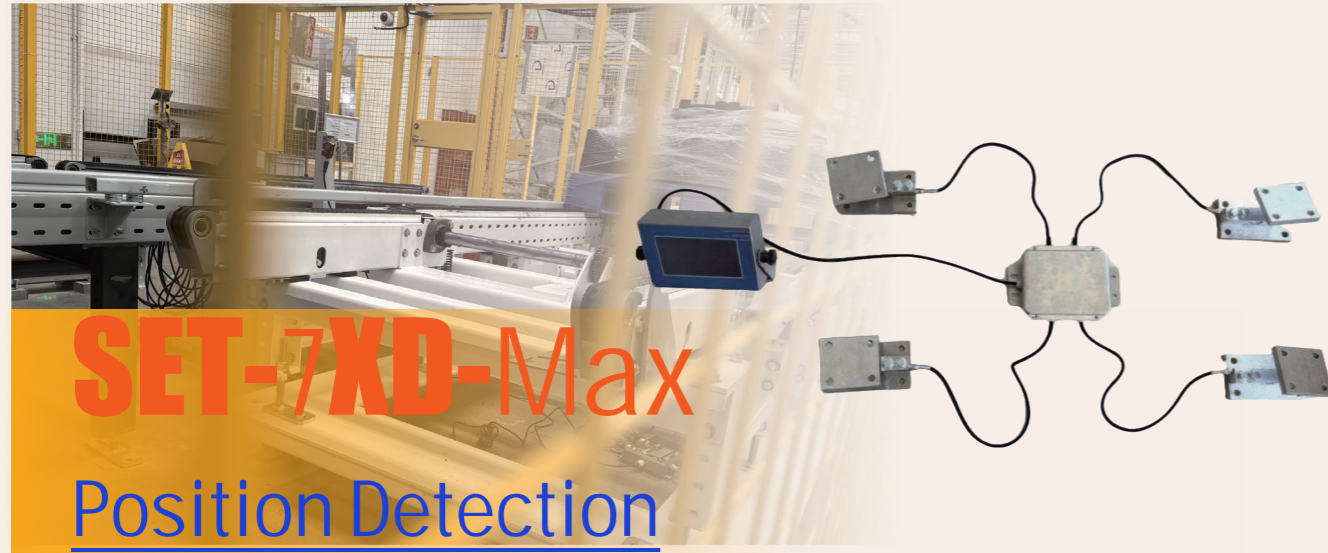
Instrument Parameters	Power	24V DC
	Temperature	-10°C ~40°C
	Max Humidity	≤ 85 % RH
	Consumption	20W
	Protection	IP23;
Measurement Parameters	A/D Speed	10, 40, 640, 1280 times/ second
	Max Display Accuracy	1/1,000,000
	A/D Perform	24 bytes, Delta-Sigma method
	Sensor Power	DC 5V, can connect up to 6 sensors of 350 ohms
	Communication	Modbus-TCP / EtherCat;

### SET-4XD Layout





Devote to making weighing easier!



High Precision

Easy Commission

Emergency Mode

### Features:

- Maximum Display Accuracy: 1/1,000,000;
- Touch screen display for simple and intuitive operation;
- Multi-language configuration optional to eliminate language barriers;
- The screen adopts authority management mode to prevent on-site misoperation;
- Center-of-gravity position detection enhances the safety;
- Built-in emergency mode provides redundant weighing assurance on site;

### Configuration :

- Standard: 7-inch touch screen display, Modbus-TCP communication bus;
- Optional: Over-edge detection, or 8-channel input and 8-channel output digital switching function.



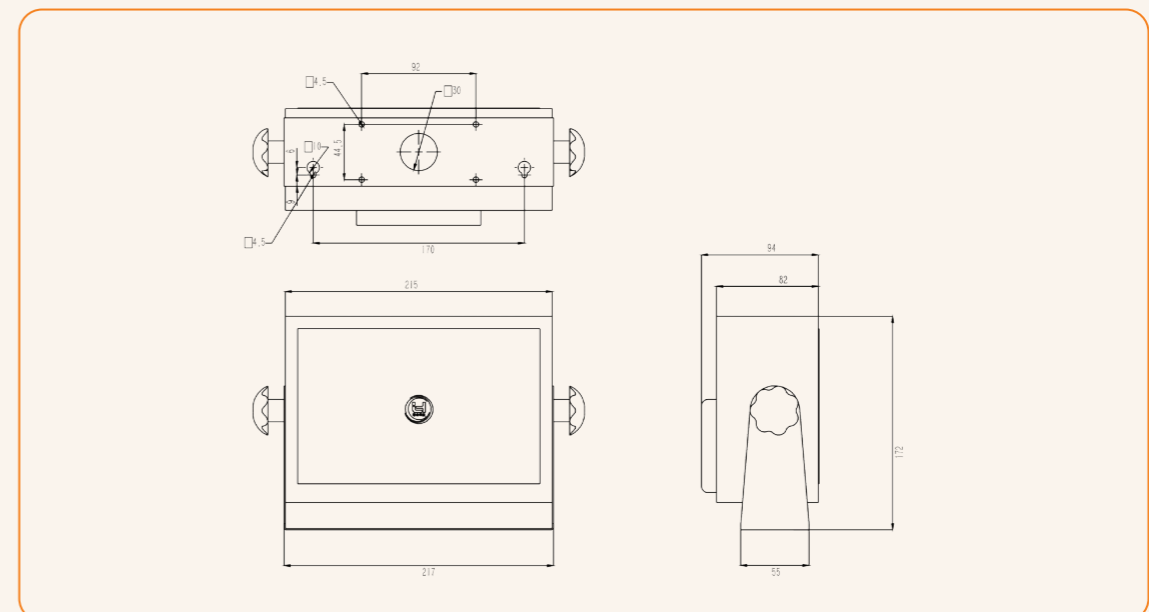
Devote to making weighing easier!

### SET-7X-MAX Parameters

Item No: SET-7XD Max

Instrument Parameters	Power	24V DC
	Temperature	-10°C ~40°C
	Max Humidity	≤ 85 % RH
	Consumption	30W
	Protection	IP23;
Measurement Parameters	Frequency	200HZ
	Max Display Accuracy	1/1,000,000。
	A/D Perform	24 bytes, Delta-Sigma method
	Sensor Power	Support use, connect with 4 dedicated sensors
	Communication	Modbus-TCP;
Highlight	Detection	Center-of-Gravity Position Detection
	Supplementary	Emergency Mode

### SET-7X-Max Layout





Devote to making weighing easier!



High Precision

Easy Commission

User-Friendly

### Features:

- Maximum Display Accuracy: 1/1,000,000;
- Touch screen display for simple and intuitive operation;
- Multi-language configuration optional to eliminate language barriers;
- The screen adopts authority management mode to prevent on-site misoperation;
- Center-of-gravity position detection enhances the safety;
- Built-in emergency mode provides redundant weighing assurance on site;
- Equipped with an over-edge detection gantry to save on-site effort and trouble.

### Configuration :

- Standard: 7-inch touch screen display, Modbus-TCP communication bus;
- Optional: Dimension measurement camera.



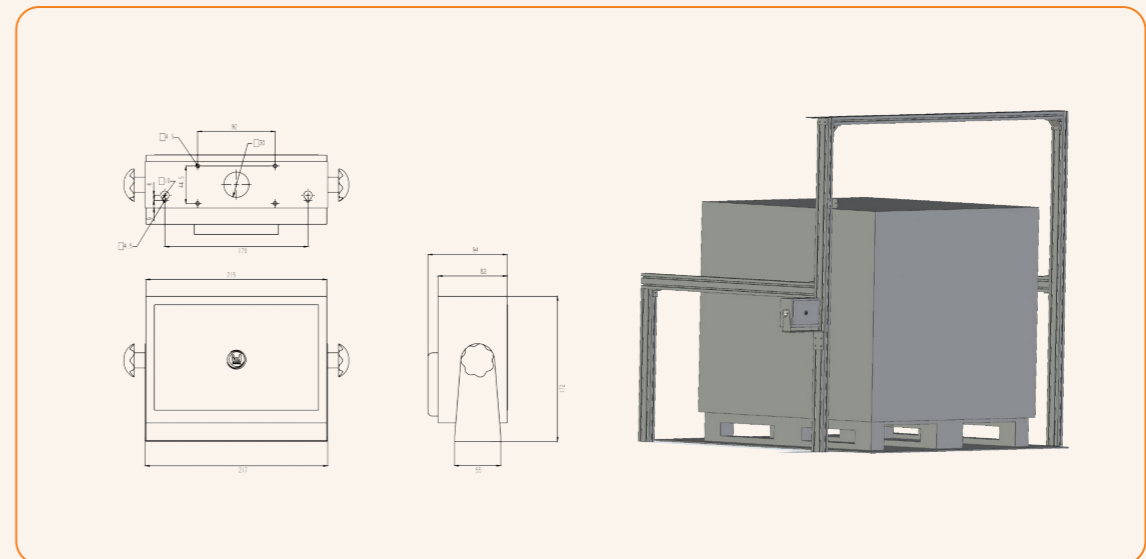
Devote to making weighing easier!

### SET-7XD-SP Parameters

Item No: SET-7XD-SP

Instrument Parameters	Power	24V DC
	Temperature	-10°C ~40°C
	Max Humidity	≤ 85 % RH
	Consumption	30W
Measurement Parameters	Protection	IP23;
	Frequency	200HZ
	Max Display Accuracy	1/1,000,000。
	A/D Perform	24 bytes, Delta-Sigma method
	Sensor Power	Support use
	Communication	Modbus-TCP;
Highlight	Detection 1	Center-of-Gravity Position Detection
	Detection 2	Over-edge Detection
	Supplementary	Emergency Mode

### SET-7XD-SP Layout





Devote to making weighing easier!



# SZC-2PD

## Smart Weighbridge

High Precision

Easy Commission

Multiple Functions

### Features:

- Maximum Display Accuracy: 1/1,000,000;
- Touch screen display for simple and intuitive operation;
- Multi-language configuration optional to eliminate language barriers;
- The screen adopts authority management mode to prevent on-site misoperation;
- Center-of-gravity position detection enhances the safety;
- Built-in emergency mode provides redundant weighing assurance on site;
- Equipped with an over-edge detection gantry to save on-site effort and trouble.

### Configuration :

- Standard: 7-inch touch screen display, Modbus-TCP communication bus;
- Optional: Over-edge detection, or 8-channel input and output switching signals.



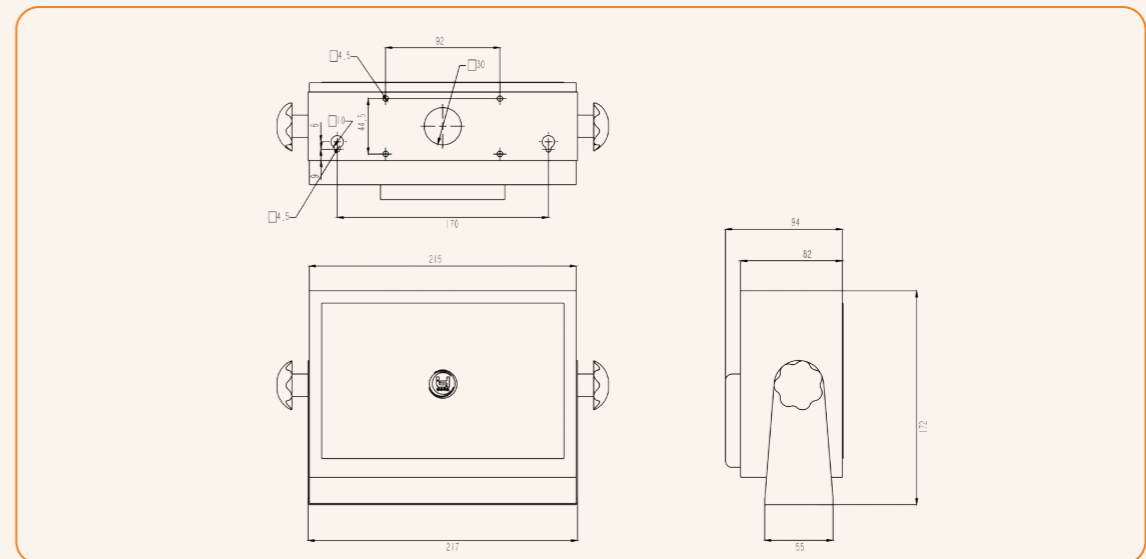
Devote to making weighing easier!

### SZC-2PD Parameters

Item No: **SZC-2PD**

Instrument Parameters	Power	24V DC
	Temperature	-10°C ~40°C
	Max Humidity	≤ 85 % RH
	Consumption	30W
Measurement Parameters	Protection	IP23;
	Frequency	200HZ
	Max Display Accuracy	1/1,000,000。
	A/D Perform	24 bytes, Delta-Sigma method
	Sensor Power	Support use, with SET-7XD Pro/SP
	Communication	Modbus-TCP;
Highlight	Detection 1	Center-of-Gravity Position Detection
	Detection 2	Over-edge detection optional
	Supplementary	Emergency Mode

### SZC-2PD Layout





Devote to making weighing easier!



# DUB-7XD

## Smart Dual-scale

Cost saving

Easy Commission

Dual Functions on One Screen

### Features:

- Maximum Display Accuracy: 1/1,000,000;
- Large-screen Display Mode: Simple and intuitive operation
- The screen adopts authority management mode to prevent on-site misoperation;
- Single Instrument for Independent Control of Two Weighing Systems: Streamlines the on-sit;
- Dual-scale Instrument = Two Single-scale Instruments, to save the cost.
- Modbus-TCP, EtherCat and more options available;

### Configuration :

- Standard: Dual-scale; 7-inch display touchscreen, Modbus-TCP communication bus;
- Optional: EtherCat communication bus



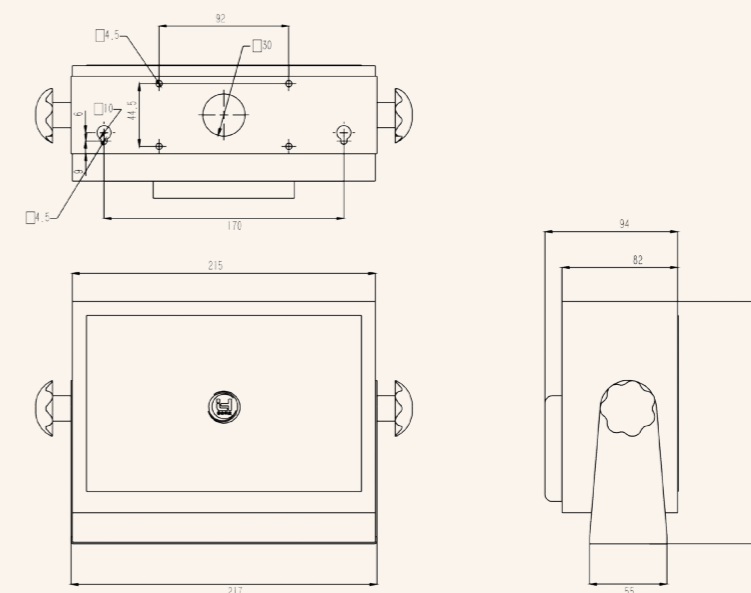
Devote to making weighing easier!

### DUB-7XD Parameters

Item No: **DUB-7XD**

Instrument Parameters	Power	24V DC
	Temperature	-10°C ~40°C
	Max Humidity	≤ 85 % RH
	Consumption	30W
Measurement Parameters	Protection	IP23;
	A/D Speed	10, 40, 640, 1280 times/second
	Max Display Accuracy	1/1,000,000
	A/D Perform	24 bytes, Delta-Sigma method
	Sensor Power	DC5V, max. 8 pcs of 350 sensors connectable
	Communication	Port: Modbus-TCP/EtherCat; Speed: 10M/100M/10~100 auto-negotiation.
Highlight		Dual-scale

### DUB-7XD Layout





Devote to making weighing easier!



# DC-6F

## Smart Electromagnetic Force Sensor

High Precision

Easy Commission

360° Overload Protection

### Features:

- High-precision measurement: 0.1mg;
- Touch screen display for simple and intuitive operation;
- The screen adopts authority management mode to prevent on-site misoperation;
- The display can connect multiple sensors, making the on-site situation clear;
- 360° safety overload protection to avoid sensor damage during installation and use;
- Equipped with internal calibration (available for some models) and external calibration.

### Configuration :

- Standard: 7-inch touch screen display, Modbus-TCP communication bus;
- Optional: One display supporting multiple sensors solution.



Devote to making weighing easier!

### DC-6F Parameters

Item No: **DC-6F**

Instrument Parameters	Power	24V DC
	Temperature	10°C ~30°C
	Max Humidity	30 % ~85 % RH
	Consumption	25W
	Protection	IP54/IP66;
Measurement Parameters	Maximum Capacity (g)	120g~3200g
	Maximum Display Accuracy	0.1mg/1mg/10mg
	Typical Stabilization Time (s)	≤ 2
	Sensitivity Drift (ppm/K)	5
Communication (with Display)		Modbus-TCP;
	Display Mode	Single display can support multiple sensors

### DC-6F Layout

